



MTE Hydraulics, Inc.
Rockford, IL 61109
Tel: 815-397-4701

Website www.mtehydraulics.com

[Main Menu](#)

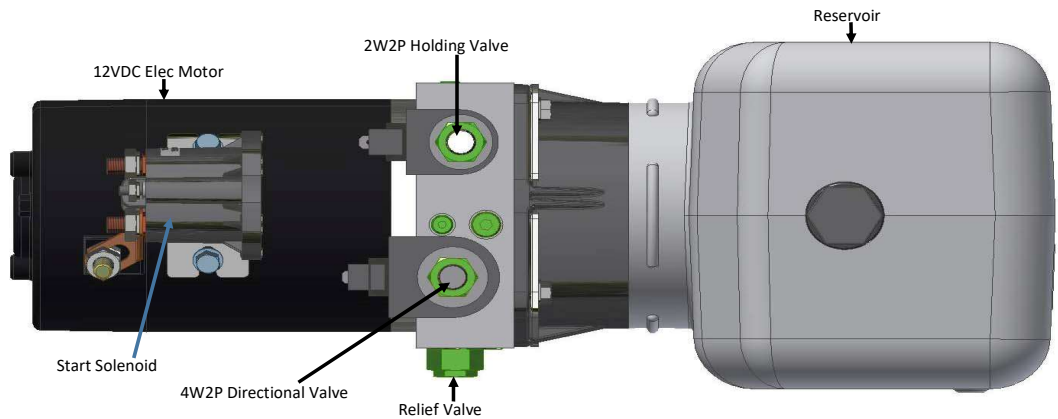
Power Up / Power Down DC Unit

Description

Power Up / Power Down Unit
Internal Check Valve
2W2P Normally Closed Valve
Relief Valve
(3) 9/16-18 SAE Ports.
Horizontal or Vertical Mounting

Available Options

PCFC valve
Pendant Control
Manual Lowering



Ordering Information

Fixed Displ Pump Size	
201-	(.067 in ³ /rev)
202-	(.110 in ³ rev)
203-	(.150 in ³ rev)
204-	(.191 in ³ rev)

(Mark Pump Size with X)

Consult factory for additional pumps sizes not shown.

Tank Sizes	
3 Qt	
1 Gallon	
1.25 Gallon	
1.5 Gallon	
2 Gallon	

Contact factory for other tank sizes available

Motor Options	
12VDC Std duty Motor	
12VDC Heavy duty Motor	
24VDC Std duty Motor	

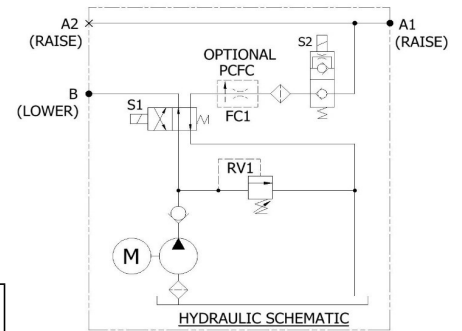
(Mark Motor Option with X)

Tank Orientation	
Horizontal	
Vertical	

(Mark orientation with X)

Tank Style	
Plastic	
Steel	

(Mark Tank)



Application Information

Are there Drawings/Schematics available _____

Operating Pressure: _____ time on _____ time off _____

RV Pressure: _____ time on _____ time off _____

Type of hydraulic fluid: _____ Fluid conditions: _____

Envelope restrictions: _____

Mounting requirements _____

Cylinder information: Stroke _____ Rod _____ Bore _____

No. of units required: _____ Mo. Yr Prototype required

Target Price: _____ Target Customer _____

Additional Information _____
(Coil Type, Fittings, PCFC, Etc.)



1800-OILSOL
1800-645765

<https://oilsolutions.com.au/>

sales@oilsolutions.com.au