



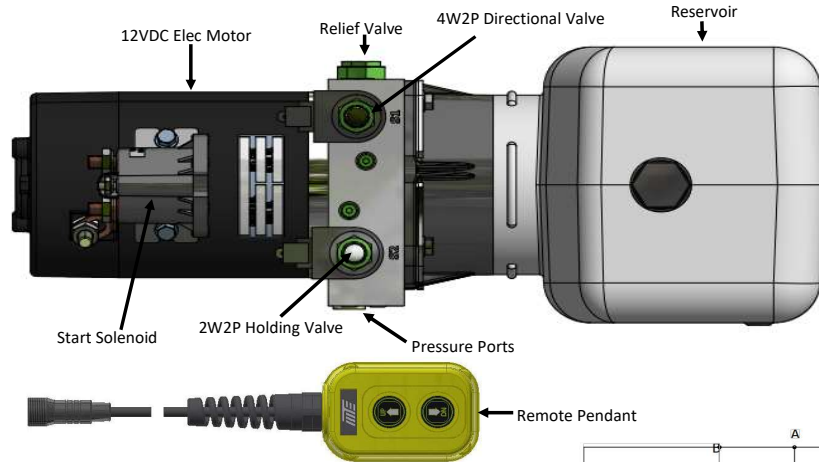
**Power Up / Power Down DC Unit**

**Description**

Power Up / Power Down Unit  
Internal Check Valve  
2W2P Normally Closed Valve  
4W2P Directional Valve  
(2) Relief Valve  
(2) 9/16-18 SAE Ports  
Horizontal or Vertical Mounting  
Remote Control

**Available Options**

Manual Lowering  
PCFC



**Ordering Information**

Fixed Displ Pump Sizes
201-(.067 in <sup>3</sup> /rev)
202-(.110 in <sup>3</sup> /rev)
203-(.150 in <sup>3</sup> /rev)
204-(.191 in <sup>3</sup> /rev)

Tank Sizes
3 Qt
1 Gallon
1.25 Gallon
1.5 Gallon
2 Gallon

(Mark Motor Option with X)  
Consult factory for additional pumps sizes not shown.

Contact factory for other tank sizes available

Motor Options
12VDC Std duty Motor
12VDC Heavy duty Motor
24VDC Std duty Motor

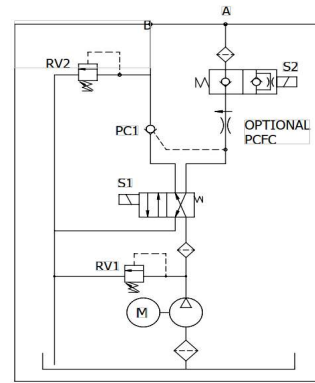
Tank Orientation
Horizontal
Vertical

Tank Style
Plastic
Steel

(Mark Motor Option with X)

(Mark orientation with X)

(Mark Tank)



**Application Information**

Are there Drawings/Schematics available \_\_\_\_\_

Operating Pressure: \_\_\_\_\_ time on \_\_\_\_\_ time off \_\_\_\_\_

RV1 Pressure: \_\_\_\_\_ time on \_\_\_\_\_ time off \_\_\_\_\_

RV2 Setting \_\_\_\_\_

Type of hydraulic fluid: \_\_\_\_\_ Fluid conditions: \_\_\_\_\_

Envelope restrictions: \_\_\_\_\_

Mounting requirements \_\_\_\_\_

Cylinder information: Stroke \_\_\_\_\_ Rod \_\_\_\_\_ Bore \_\_\_\_\_

No. of units required: \_\_\_\_\_  Mo.  Yr  Prototype required

Target Price: \_\_\_\_\_ Target Customer \_\_\_\_\_

Additional Information \_\_\_\_\_  
(Coil Type, Fittings, PCFC, Etc.)

