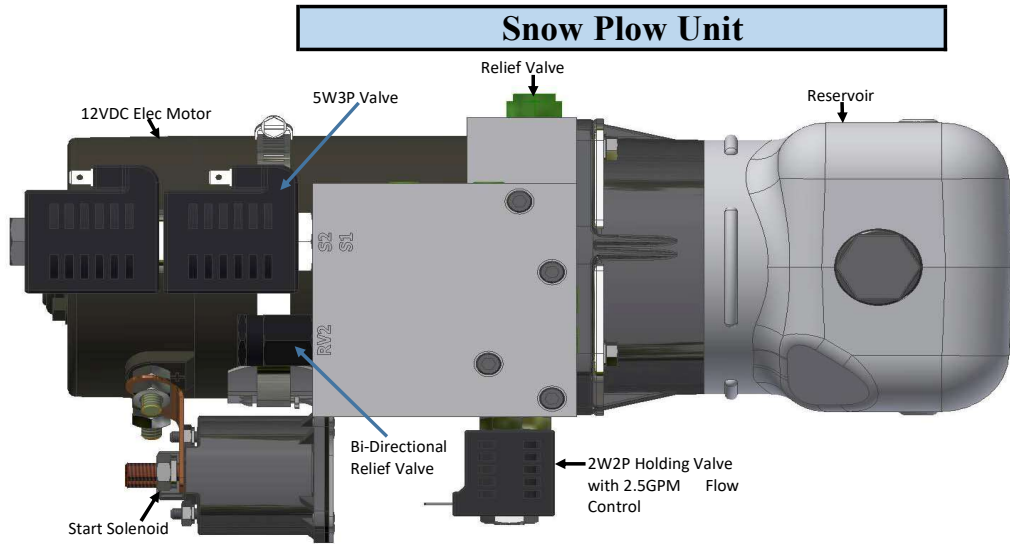




Description

Snow Plow Unit
Internal Check Valves
2W2P Normally Closed Valve
5W3P Directional Valve
(2) Relief Valve
(3) 9/16-18 SAE Ports.
Horizontal or Vertical Mounting
Flow Control-Optimal Sizes



Ordering Information

| Fixed Displ Pump Size |
|---------------------------------|
| 201-(.067 in ³ /rev) |
| 202-(.110 in ³ rev) |
| 203-(.150 in ³ rev) |
| 204-(.191 in ³ rev) |

(Mark Pump Size with X)

Consult factory for additional pumps sizes not shown.

| Tank Sizes |
|-------------|
| 3 Qt |
| 1 Gallon |
| 1.25 Gallon |
| 1.5 Gallon |
| 2 Gallon |

Contact factory for other tank sizes available

| Tank Style |
|------------|
| Plastic |
| Steel |

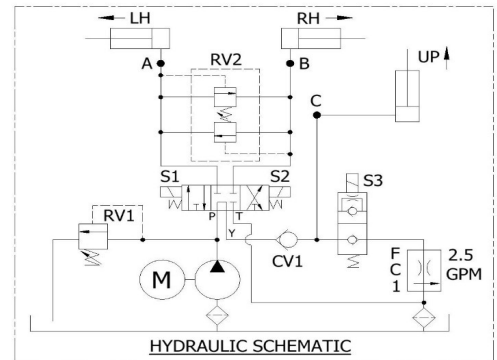
(Mark Tank Option with X)

| Motor Options |
|------------------------|
| 12VDC Std duty Motor |
| 12VDC Heavy duty Motor |
| 24VDC Std duty Motor |

(Mark Motor Option with X)

| Tank Orientation |
|------------------|
| Horizontal |
| Vertical |

(Mark orientation with X)



Application Information

Are there Drawings/Schematics available _____

Operating Pressure: _____ time on _____ time off _____

RV1 Pressure: _____ time on _____ time off _____

RV2 Setting _____

Type of hydraulic fluid: _____ Fluid conditions: _____

Envelope restrictions: _____

Mounting requirements _____

Cylinder information: Stroke _____ Rod _____ Bore _____

No. of units required: _____ Mo. Yr Prototype required

Target Price: _____ Target Customer _____

Additional Information _____
(Coil Type, Fittings, PCFC, Etc.)

