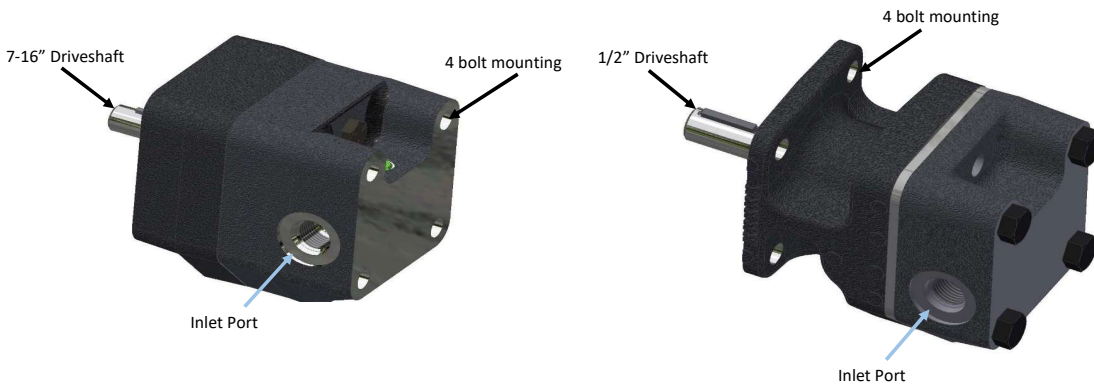
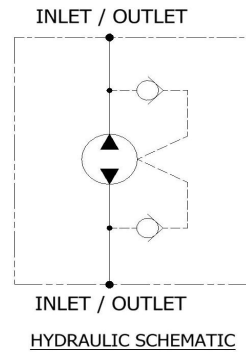


# Hydraulic Pumps



DISPL CIR	SHAFT DIA IN.	SAE INLET PORT	SAE OUTLET PORT
0.067	1/2"	9/16-18	9/16-18
0.097	1/2"	9/16-18	9/16-18
0.129	1/2"	3/4-16	9/16-18
0.192	1/2"	3/4-16	9/16-18
0.323	1/2"	7/8-14	3/4-16
0.434	1/2"	7/8-14	7/8-14
0.479	1/2"	7/8-14	7/8-14



## Ordering Information

Are there Drawings/Schematics available \_\_\_\_\_

Operating Pressure: \_\_\_\_\_ time on \_\_\_\_\_ time off \_\_\_\_\_

Type of hydraulic fluid: \_\_\_\_\_ Fluid conditions: \_\_\_\_\_

How is pump driven? \_\_\_\_\_

Displacement: 1<sup>st</sup> section: \_\_\_\_\_

Port sizes and locations: \_\_\_\_\_ Mtg flange type,size: \_\_\_\_\_

Shaft description(type,size) \_\_\_\_\_ Rotation direction: \_\_\_\_\_

Cylinder information: Stroke \_\_\_\_\_ Rod \_\_\_\_\_ Bore \_\_\_\_\_

No. of units required: \_\_\_\_\_  Mo.  Yr  Prototype required

Target Price: \_\_\_\_\_ Target Customer \_\_\_\_\_

Additional Information \_\_\_\_\_