

OT Hydraulic Tank Specifications



TIMALCO
HYDRAULICS

www.timalco.com.au



Standard OT Hydraulic Tanks



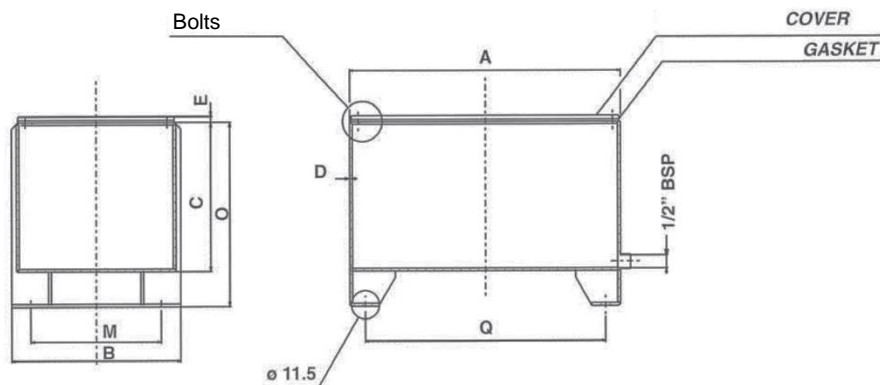
Standard OT Hydraulic Tanks with Level Gauge Holes

Powder Coated available on Request

Part Number	Nom Capacity Litres	Air Volume Litres	Length A	Width B	Height C	D	E	M	O	Q	Bolts
OT-12	13	21	335	270	235	1.5	4	208	290	286	6xM8
OT-16	20	33	410	325	250	1.5	4	270	305	364	6xM8
OT-30	30	49	470	375	280	1.5	4	312	335	428	6xM8
OT-55	55	87	600	470	310	2	4	401	365	548	6xM8
OT-75	75	112	600	470	400	2	4	401	455	548	10xM8
OT-100	100	157	675	520	450	2.5	5	455	505	625	10xM8
OT-180	180	249	805	620	500	2.5	5	555	555	755	10xM8

Nominal Capacity is Based on approx. 60 – 65% of actual Air Volume.
Allowing for Pumps, Bell Housing, and air space etc

Dimensions



1800-OILSOL
1800-645765

<https://oilsolutions.com.au/>

sales@oilsolutions.com.au