

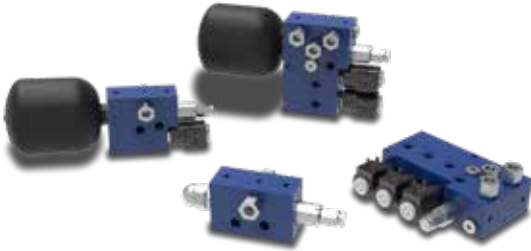


SU-SE HYDRAULIC REMOTE CONTROL ONE SERVICE PORT

The purpose of feed unit SU and SE is to fit hydraulic remote controls in an hydraulic system working at high pressure with reduced flow at low pressure.

The feed unit range is thus divided: **SU2, SU3, SE2, SE3**

SE3 can fit up to 3 dump valves (12 - 24 Vdc)



TECHNICAL SPECIFICATIONS

Max pressure: **350 bar (5100 psi)**

Pressure on port line (U): **from 10 to 70 bar (from 145 to 1015 psi)**

Max. back pressure on tank line (T): **3 bar (43.5 psi)**

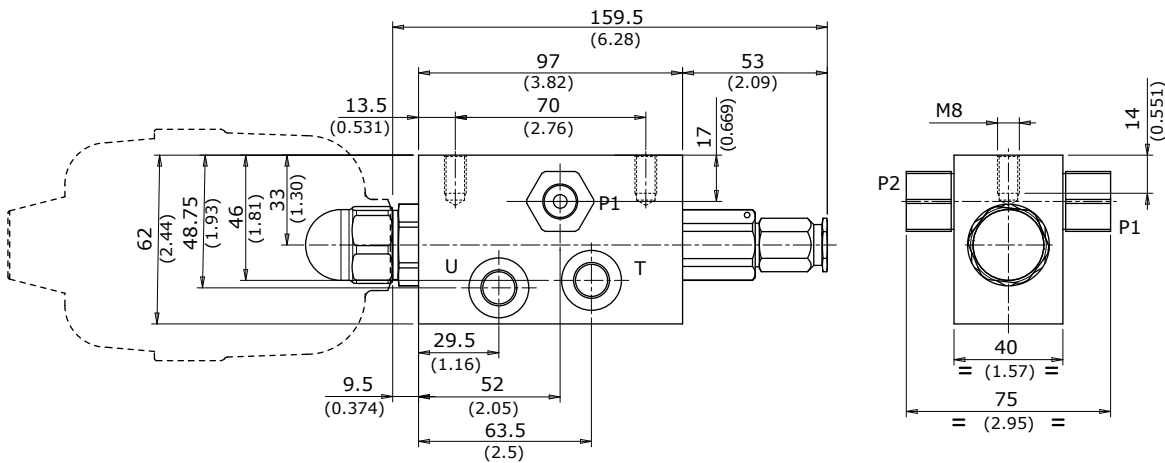
Minimum pressure (P1): **10 bar (145 psi)**

Max pressure: **100 bar (1450 psi)**

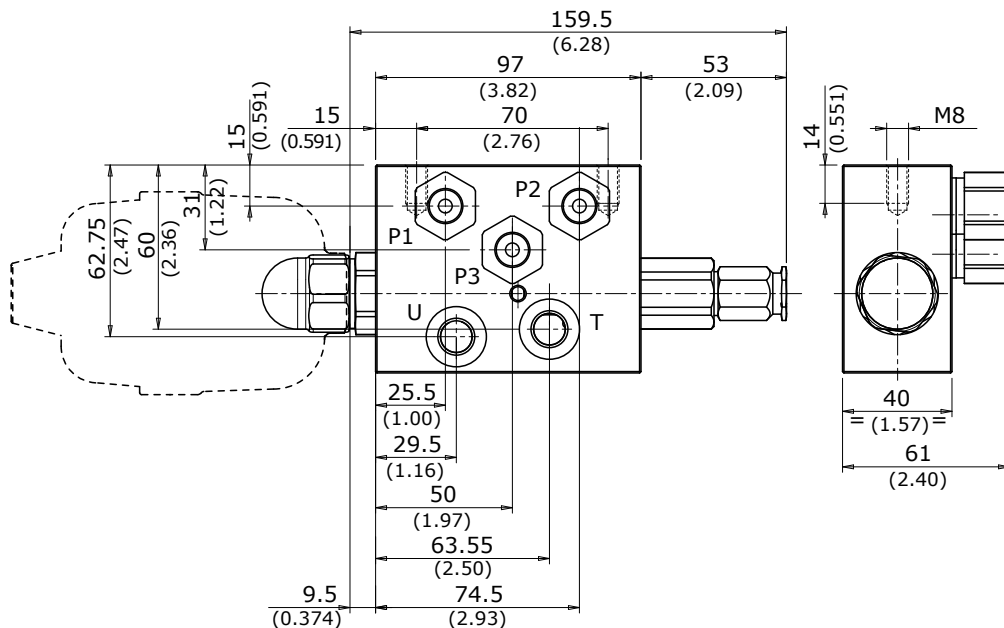
Nominal flow rating: **from 5 to 20 l/min (from 1.32 to 5.28 US gpm)**

Remote pilot of: directional control valves, variable displacement pumps and motors, auxiliary valves, frictions and hydraulic brakes

SU2 DIMENSIONS



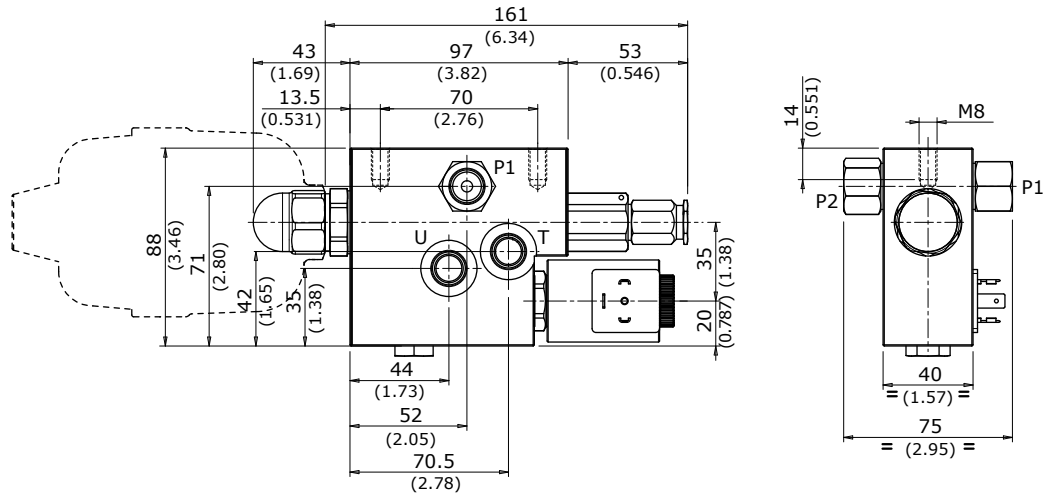
SU3 DIMENSIONS



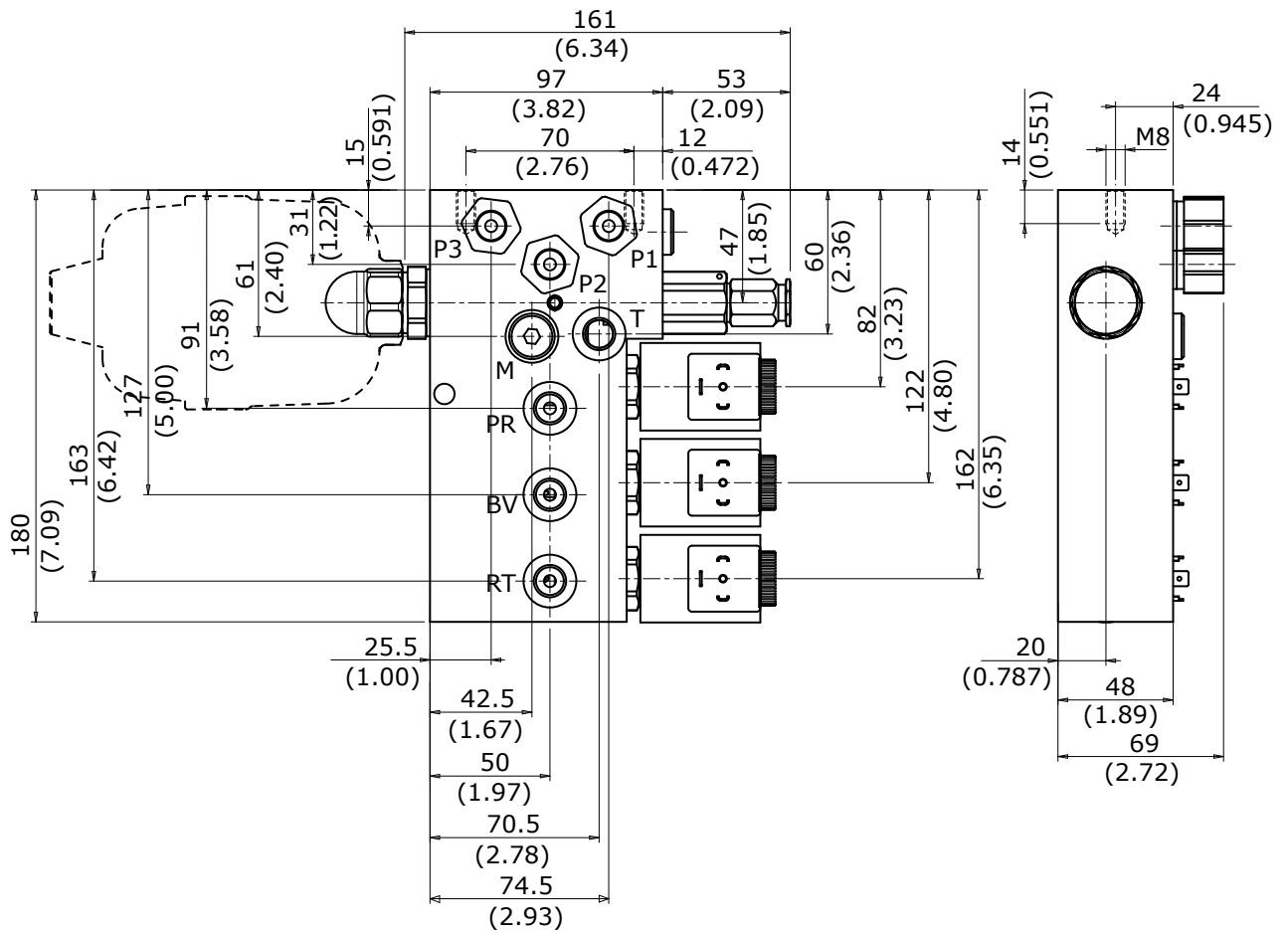


HYDRAULIC REMOTE CONTROL ONE SERVICE PORT **SU-SE**

SE2 DIMENSIONS



SE3 DIMENSIONS

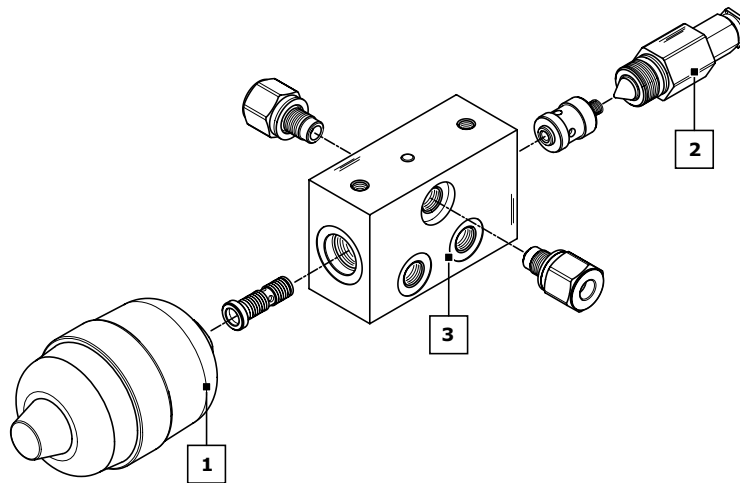




SU-SE HYDRAULIC REMOTE CONTROL ONE SERVICE PORT

ORDER EXAMPLE = SU2: V04 - 30 - RA G02

- SU product type
- 2 number of lines
- 1 ACCUMULATOR CLASSIFICATION:**
 - V04** accumulator model
- 2 REDUCING VALVE:**
 - 30** pressure setting (0-70 bar on working port U)
- 3 BODY ARRANGEMENT:**
 - RA** body specification
 - G02** body thread



PRODUCT TYPE: (page 65)	
SU2	Two (P) lines feed unit at high pressure
SU3	Three (P) lines feed unit at high pressure
SE2	Feed unit with 2 inlets at high pressure and 1 outlet with reduced pressure (port U) with dump valve
SE3/1	Feed unit with 3 inlets at high pressure and 1 outlet with reduced pressure (port U) with dump valve
SE3/2	Feed unit with 3 inlets at high pressure and 2 outlets with reduced pressure (port BV-PR) with dump valve on each outlet
SE3/3	Feed unit with 3 inlets at high pressure and 3 outlets with reduced pressure (port BV-PR-RT) with dump valve on each outlet
1	ACCUMULATOR CLASSIFICATION CURVE: (page 66)
V01	Without accumulator
V03	Prearranged for accumulator (1/2" BSP)
V04	Hydropneumatic accumulator with rubber membrane (Volume of nitrogen: lt. 0.35 - 21 in ³ / Precharge: 10 bar - 145 psi)
2	REDUCING VALVE:
30	In the ordering code is necessary to indicate the pressure setting of reducing valve. setting range pressure: from 0 to 70 bar (from 0 to 1015 psi)
3	BODY ARRANGEMENT: (page 69)
RA G02	Standard body (only for SU2) (G 1/4 ports)
RB G02	Standard body (only for SU3) (G 1/4 ports)
RV G02	Body with dump valve 12 VDC (only for SE2 - SE3) (G 1/4 ports)
RW G02	Body with dump valve 24 VDC (only for SE2 - SE3) (G 1/4 ports)
RA U02	Standard body (only for SU2) (9/16"-18 UNF ports)
RB U02	Standard body (only for SU3) (9/16"-18 UNF ports)
RV U02	Body with dump valve 12 VDC (only for SE2 - SE3) (9/16"-18 UNF ports)
RW U02	Body with dump valve 24 VDC (only for SE2 - SE3) (9/16"-18 UNF ports)



HYDRAULIC REMOTE CONTROL ONE SERVICE PORT **SU-SE**

FEED UNIT CLASSIFICATION

Code	Scheme	Configuration	Description
SU2			Two (P) lines feed unit at high pressure
SU3			Three (P) lines feed unit at high pressure
SE2			Feed unit with 2 inlets at high pressure and 1 outlet with reduced pressure (port U) with dump valve
SE3/1			Feed unit with 3 inlets at high pressure and 1 outlet with reduced pressure (port U) with dump valve
SE3/2			Feed unit with 3 inlets at high pressure and 2 outlets with reduced pressure (port BV-PR) with dump valve on each outlet
SE3/3			Feed unit with 3 inlets at high pressure and 3 outlets with reduced pressure (port BV-PR-RT) with dump valve on each outlet



SU-SE HYDRAULIC REMOTE CONTROL ONE SERVICE PORT

ACCUMULATOR CLASSIFICATION

Code	Scheme	Dimensions	Description
V01			Without accumulator
V02			With accumulator arrangement (M18x1,5)
V03			With accumulator arrangement (1/2" BSP)
V04			Hydropneumatic accumulator with rubber membrane Volume of nitrogen: lt. 0.35 Precharge: 10 bar
V05			Hydropneumatic accumulator with rubber membrane Volume of nitrogen: lt. 0.75 Precharge: 10 bar
V06			Hydropneumatic accumulator with rubber membrane Volume of nitrogen: lt. 1.50 Precharge: 10 bar



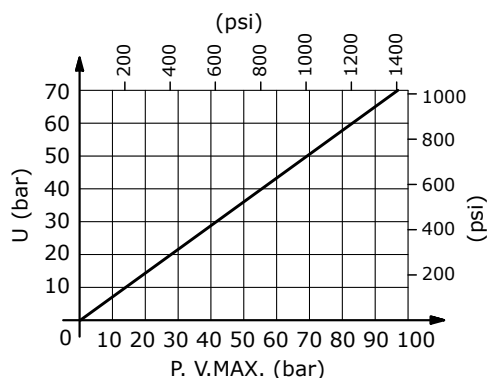
HYDRAULIC REMOTE CONTROL ONE SERVICE PORT

SU-SE

ACCUMULATORS TECHNICAL SPECIFICATIONS			
Max. working pressure	Working temperature	Max. allowed pressure ratio	Accumulator precharge pressure
210 bar (3050 psi)	from -20°C to 80°C (from -4°F to 176°F)	< 6/1	10 bar (145 psi)

SETTING DIAGRAM, REDUCING VALVE, RELIEF VALVE

Because of the small dimensions and working on the same adjusting screw, this valve has the possibility of setting both the pressure reducing valve and the main relief valve. Main relief valve pressure setting is higher than about 10 bar if compared to the pressure reducing valve - see the pressure setting diagram. Feed unit may be installed in any mounting position but the accumulator should be as far as possible from heat sources..



**SU-SE** HYDRAULIC REMOTE CONTROL ONE SERVICE PORT**DUMP VALVE TECHNICAL SPECIFICATIONS**

Description	Value
Operating voltage	12 - 24 VDC +/- 10%
Resistance at 20°C	6.8 Ω (12 VDC) - 27 Ω (24 VDC)
Power at 20°C	21 W
Utilization factor	ED100%
Copper wire thermal class according to CEI EN 60172	H
Coil thermal class according to CEI EN 60085	F
Connector	DIN 43650/ISO4400
Connector protection (EN 60529)	IP65

On request equipped counterpart connector DIN 43650/ISO4400. Ordering code: 413000313.



HYDRAULIC REMOTE CONTROL ONE SERVICE PORT **SU-SE**

BODY ARRANGEMENT

The body configuration of a feed unit changes according to the product used; BSP and UNF service ports are featured in every set-up. For different applications contact our Sales Dept.

Code	Configuration	Description	SU2	SU3	SE2	SE3/1	SE3/2	SE3/3
RA G02		Standard body G 1/4 ports	•					
RA U02		Standard body 9/16"-18 UNF ports	•					
RB G02		Standard body G 1/4 ports		•				
RB U02		Standard body 9/16"-18 UNF ports		•				
RV G02		Body with dump valve (12 Vdc) G 1/4 ports			•	•	•	•
RV U02		Body with dump valve (12 Vdc) 9/16"-18 UNF ports				•	•	•
RW G02		Body with dump valve (24 Vdc) G 1/4 ports			•	•	•	•
RW U02		Body with dump valve (24 Vdc) 9/16"-18 UNF ports				•	•	•