

3.12 Model M-3519

Description

- Pump / Motor / Reservoir / Valve
- Check Valve
- Externally Adjustable Relief Valve
- 2-Way/2-Position Normally Closed Solenoid Cartridge Valve
- #6 SAE Outlet
- Horizontal Mounting Standard

Popular Options

- Control Box and Cord
- Vertical Mounting / Motor Up
- Pressure Compensated (Cartridge Style) Orifice On Lowering Circuit*
- Manual Override*
- Hand Pump Manifold Mounts Directly to Base*

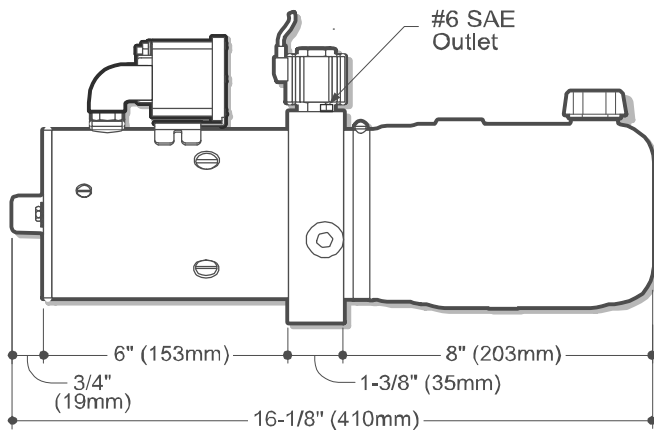
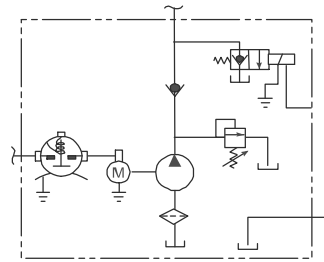
* Option Requires Power Unit Dimensions and Features Different Than Those Shown Below



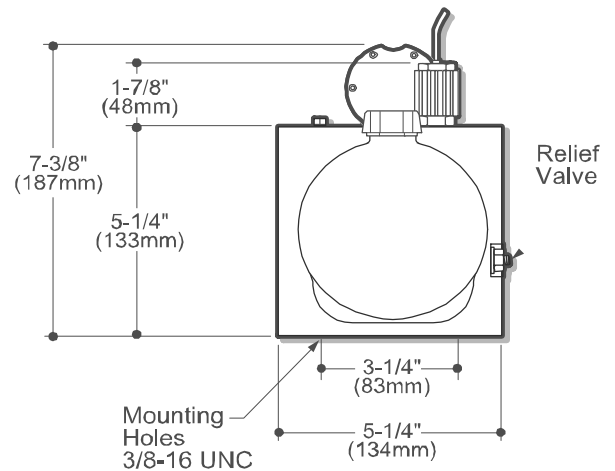
OIL SOLUTIONS

PO Box 38
 Strathfieldsaye, VIC, 3551
 1800 OIL SOL
 1800 645 765
sales@oilsolutions.com.au
www.oilsolutions.com.au
 "For All Your Hydraulic Needs"

Schematic



SIDE VIEW



END VIEW

How to Order Your M-3519

Comprehensive information may be found on the page referenced below each selection category.

Shown as standard with:

Pump	Motor	Voltage	Reservoir (Length)	Motor Start Switch	Mounting Position	Accessories	Control Boxes
	08111	12	06102	17757	Horizontal		
Ref. Page	Ref. Page 52		Ref. Page 76-86	Ref. Page 89		Ref. Page 92	Ref. Page 90