

BUCHER
hydraulics



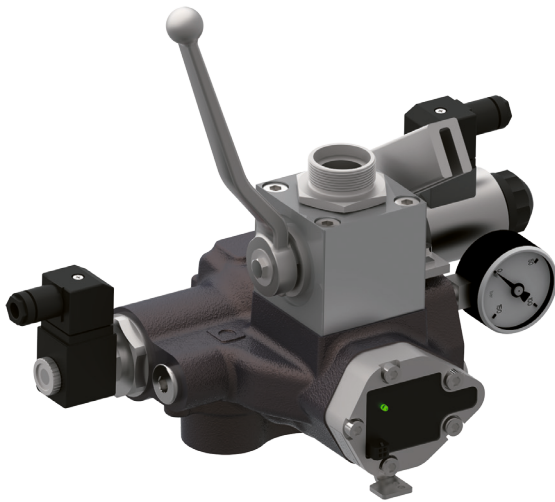
OIL SOLUTIONS

Modernization of Hydraulic Drives

Smoother – Faster – Energy Saving

PO Box 38
Strathfieldsaye, VIC, 3551
1800 OIL SOL
1800 645 765
sales@oilsolutions.com.au
www.oilsolutions.com.au
"For All Your Hydraulic Needs"





iValve – Reduce the Costs Intelligently

Save up to 70% installation time

- No more settings of hydraulic parameters required
- The self-teaching algorithm „iTeach“ provides the shortest travel curve autonomously

Save up to 30% energy

- Continuous short travel curve, independent of load and temperature
- In many cases no oil cooling is necessary

Improve safety & enjoy comfort

- Always an accurate positioning of ± 3 mm, to prevent trip hazard
- The self-monitoring function guarantees fully integrated A3 compliance
- Smooth acceleration and deceleration, first class ride quality

Intelligently implemented:

- 2 digital, freely programmable pressure switches
- Hand pump / emergency lowering
- Ball valve
- Safety valve A3

Intelligent functions:

- Open controller „iCon-2“
- Memory card „ParamCard“
- Power supply (optional)

Technical data

	Flow rate max. l/min	Op. pressure max. bar	Connection (P,T) pump / tank	Connection (Z) cylinder	Width mm	Depth mm	Hight mm	Weight kg
iValve i250	250	80	G1	28L	313	178	313	10.4
iValve i500	500	80	G1½	42L	490	142	288	22.5

Temperature: 0 - 70°C • Viscosity: 20 - 500cSt • Pressure medium: acc. oil recommendation list

1 Working day + MULTikit iValve =
a modern hydraulic lift

MULTikit iValve

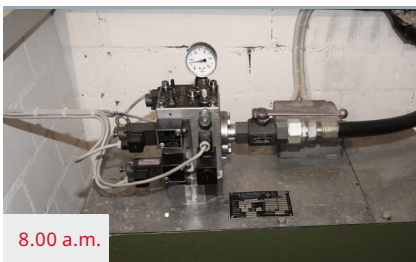
MULTikit = MULTImech + MULTibox

The package MULTikit iValve contains all components for the modernization of a hydraulic lift without replacing the lift controller. With this conversion package a mechanical valve is replaced by the new valve generation iValve. The conversion time is reduced to a minimum, as the valve block is set up to the values at the factory. The MULTikit iValve is optionally available with A3 security feature according to EN81-20/50 and the new regulation 2014/33/EU.

So simple is the upgrading with the MULTikit iValve

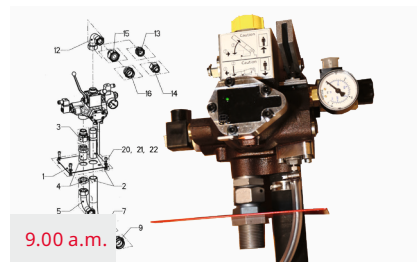
8.00 a.m.:

Starting position: The existing power unit with the mechanical valve in the machine room



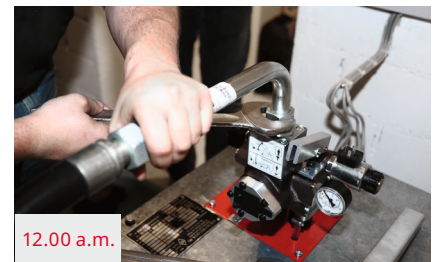
9.00 a.m.:

Assembled valve unit according to the MULTImech guide



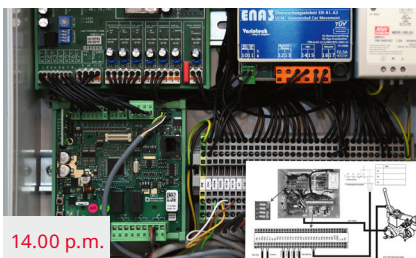
12.00 a.m.:

The new iValve assembled on the existing power unit



14.00 p.m.:

The MULTibox is wired to the existing lift controller as in the MULTibox guide described



15.00 p.m.:

Installation of the A3 sensor in the lift shaft on each floor level



16.00 p.m.:

The hydraulic lift is modernized with the MULTikit iValve



Smother and faster travel –
reduce costs – save energy

Perfectly Modernize Hydraulic Drives

„Old“ becomes „new“: A new travel experience in just a short time!

Using the MULTiKit iValve conversion package, hydraulic lifts
can be custom-modernized without having to replace the lift controller.

Valve iValve

Effort: 2 hours

- Unsurpassed ride comfort and short slow-speed travel,
- independent of load and temperature

MULTiKit iValve

Effort: 1 working day

- The conversion can be carried out without replacing
the existing lift controller

Comfort Line

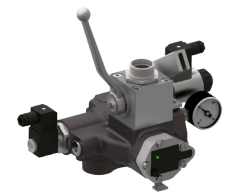
Effort: 1 working day for a Comfort Line power unit

- Using the MULTiBox conversion package, the existing
lift controller can be kept

Eco Line

Effort: 2 working days for an Eco Line power unit

- Using the MULTiBox conversion package the existing
lift controller can be kept
- Short and consistent travel times and up to 60% less
energy consumption



bucherhydraulics.com

Bucher Hydraulics AG
Industriestrasse 15
6345 Neuheim, Switzerland
T +41 41 757 03 33
elevator@bucherhydraulics.com