

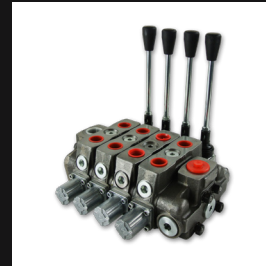
Hydraulics Network



1800-OILSOL
1800-645765

<https://oilsolutions.com.au/>

sales@oilsolutions.com.au



HAND PUMPS, DIVERTER & BALL VALVES

2023

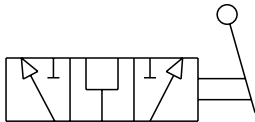
Manual Diverter Valves - 3 Port



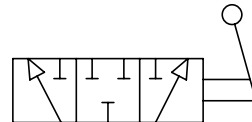
Part #	List Price \$	Ports	Max Pressure	Max Flow	Spool Crossover
DDF3380A		3/8" BSPP	350 bar	60 lpm	Open Centre
DDF3120A		1/2" BSPP	350 bar	90 lpm	Open Centre
DDF3340A		3/4" BSPP	350 bar	120 lpm	Open Centre
DDF3100A		1" BSPP	300 bar	200 lpm	Open Centre
DDF3380B		3/8" BSPP	350 bar	60 lpm	Closed Centre
DDF3120B		1/2" BSPP	350 bar	90 lpm	Closed Centre
DDF3340B		3/4" BSPP	350 bar	120 lpm	Closed Centre
DDF3100B		1" BSPP	300 bar	200 lpm	Closed Centre



A



B



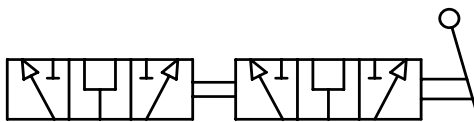
Manual Diverter Valves - 6 Port



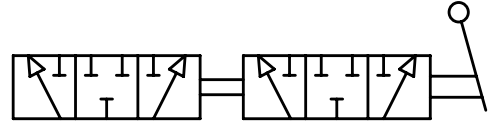
Part #	List Price \$	Ports	Max Pressure	Max Flow	Spool Crossover
DDF6380A		3/8" BSPP	350 bar	60 lpm	Open Centre
DDF6120A		1/2" BSPP	350 bar	90 lpm	Open Centre
DDF6340A		3/4" BSPP	350 bar	120 lpm	Open Centre
DDF6100A		1" BSPP	300 bar	200 lpm	Open Centre
DDF6380B		3/8" BSPP	350 bar	60 lpm	Closed Centre
DDF6120B		1/2" BSPP	350 bar	90 lpm	Closed Centre
DDF6340B		3/4" BSPP	350 bar	120 lpm	Closed Centre
DDF6100B		1" BSPP	300 bar	200 lpm	Closed Centre



A



B



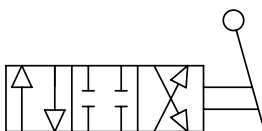
Manual Diverter Valves - 4 Port



Part #	List Price \$	Ports	Max Pressure	Max Flow	Spool Crossover
IDF4380A		3/8" BSPP	350 bar	60 lpm	Closed Centre
IDF4120A		1/2" BSPP	350 bar	90 lpm	Closed Centre
IDF4340A		3/4" BSPP	350 bar	120 lpm	Closed Centre
IDF4100A		1" BSPP	300 bar	200 lpm	Closed Centre
IDF4380B		3/8" BSPP	350 bar	60 lpm	Open Centre
IDF4120B		1/2" BSPP	350 bar	90 lpm	Open Centre
IDF4340B		3/4" BSPP	350 bar	120 lpm	Open Centre
IDF4100B		1" BSPP	300 bar	200 lpm	Open Centre



A



B



8 Port
on next
page

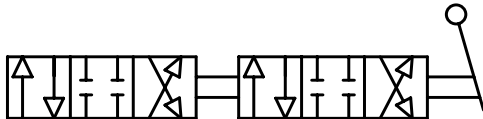
Manual Diverter Valves - 8 Port



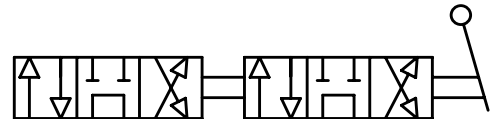
Part #	List Price \$	Ports	Max Pressure	Max Flow	Spool Crossover
IDF8380A		3/8" BSPP	350 bar	60 lpm	Closed Centre
IDF8120A		1/2" BSPP	350 bar	90 lpm	Closed Centre
IDF8340A		3/4" BSPP	350 bar	120 lpm	Closed Centre
IDF8100A		1" BSPP	300 bar	200 lpm	Closed Centre
IDF8380B		3/8" BSPP	350 bar	60 lpm	Open Centre
IDF8120B		1/2" BSPP	350 bar	90 lpm	Open Centre
IDF8340B		3/4" BSPP	350 bar	120 lpm	Open Centre
IDF8100B		1" BSPP	300 bar	200 lpm	Open Centre



A



B



Manual Diverter Valves - Replacement Handles



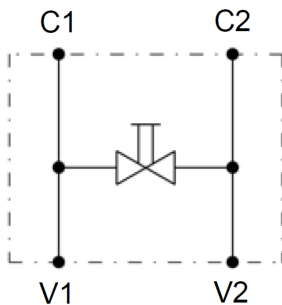
Part #	List Price \$	To Fit	Port Size
12000030		DDF/IDF	3/4", 1"



Manual Diverter Float Valves



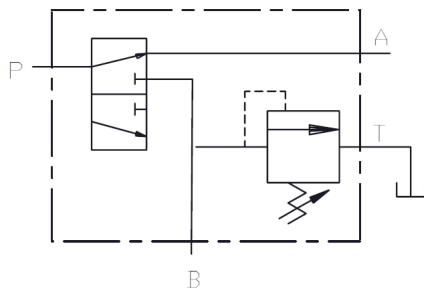
Part #	List Price \$	Ports	Max Pressure	Max Flow
VDF 03		1/2" BSPP	210 bar	35 lpm



Manual Diverter Valves 2 Position with Relief

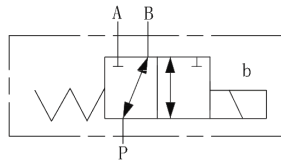


Part #	List Price \$	Ports	Max Pressure	Max Flow	Relief Range
VI4WAM0480-20-A		3/4" BSPP	350 bar	120 lpm	30-26- bar



Solenoid Diverter Valves - 3 Port

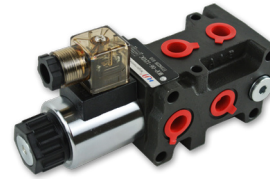
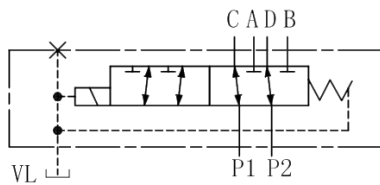
Part #	List Price \$	Ports	Max Pressure	Max Flow	Spool Crossover
HVC-10-12VDC		1/2" BSPP	210 bar	80 lpm	Open
HVC-10-24VDC		1/2" BSPP	210 bar	80 lpm	Open



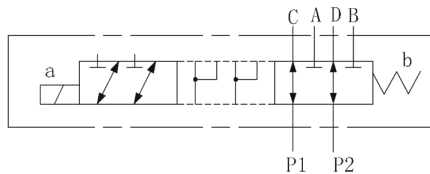
Solenoid Diverter Valves 6 - Port

(drain must be fitted above 150 bar where indicated)

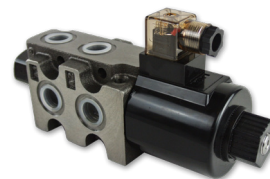
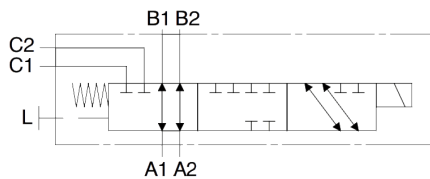
Part #	List Price \$	Ports	Drain	Max Pressure	Max Flow	Bankable	Spool Crossover
MOP-06-12VDC		3/8" BSPP	1/4" BSPP	250 bar	50 lpm	Yes	Closed
MOP-06-24VDC		3/8" BSPP	1/4" BSPP	250 bar	50 lpm	Yes	Closed



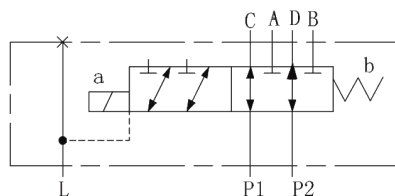
Part #	List Price \$	Ports	Drain	Max Pressure	Max Flow	Bankable	Spool Crossover
ZVH-06-12VDC		3/8" BSPP	-	210 bar	50 lpm	No	Open
ZVH-06-24VDC		3/8" BSPP	-	210 bar	50 lpm	No	Open



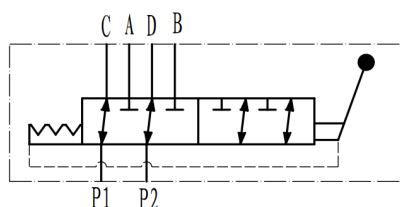
Part #	List Price \$	Ports	Drain	Max Pressure	Max Flow	Bankable	Spool Crossover
SCS4-1S-1Y-1G4-12VDC		1/2" BSPP	3/8" BSPP	315 bar	80 lpm	Yes	Closed
SCS4-1S-1Y-2G4-24VDC		1/2" BSPP	3/8" BSPP	315 bar	80 lpm	Yes	Closed



Part #	List Price \$	Ports	Drain	Max Pressure	Max Flow	Bankable	Spool Crossover
SVK-10-12VDC		3/4" BSPP	1/4" BSPP	250 bar	80 lpm	Yes	Closed
SVK-10-24VDC		3/4" BSPP	1/4" BSPP	250 bar	80 lpm	Yes	Closed



Part #	List Price \$	Ports	Drain	Max Pressure	Max Flow	Bankable	Spool Crossover
KVH6-MB-G1/2		1/2" BSPP	-	250 bar	50 lpm	No	Closed



Replacement coils on next page

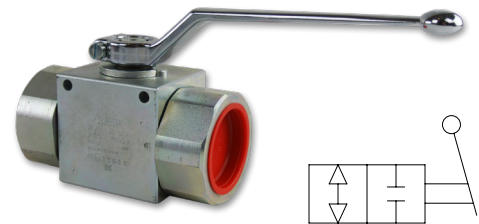
Solenoid Diverter Valves - Replacement Coils

Part #	List Price \$	Voltage	Suits Valves Series
2SCSV001		12v DC	SCS4
2SCSV002		24v DC	SCS4
COIL-06-12VDC		12v DC	HVC, MOP, ZVH, SVK
COIL-06-24VDC		24v DC	HVC, MOP, ZVH, SVK
COIL-06-48VDC		48v DC	HVC, MOP, ZVH, SVK
COIL-06-110VAC		110v AC	HVC, MOP, ZVH, SVK
COIL-06-220VAC		220v AC	HVC, MOP, ZVH, SVK



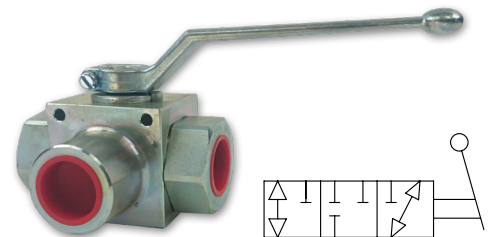
Ball Valves - 2 Port (Steel)

Part #	List Price \$	Ports	Max Pressure	Max Flow
RAS2140P		1/4" BSPP	500 bar	25 lpm
RAS2380P		3/8" BSPP	500 bar	35 lpm
RAS2120P		1/2" BSPP	500 bar	60 lpm
RAS2340P		3/4" BSPP	400 bar	100 lpm
RAS2100P		1" BSPP	350 bar	150 lpm
RAS2114P		1.1/4" BSPP	350 bar	150 lpm
RAS2112P		1.1/2" BSPP	350 bar	150 lpm



Ball Valves - 3 Port (Steel)

Part #	List Price \$	Ports	Max Pressure	Max Flow
RAS3140P		1/4" BSPP	400 bar	25 lpm
RAS3380P		3/8" BSPP	400 bar	35 lpm
RAS3120P		1/2" BSPP	350 bar	60 lpm
RAS3340P		3/4" BSPP	350 bar	100 lpm
RAS3100P		1" BSPP	350 bar	150 lpm
RAS3114P		1.1/4" BSPP	350 bar	150 lpm
RAS3112P		1.1/2" BSPP	350 bar	150 lpm



Ball Valves - Replacement Handles

Part #	List Price \$	To Fit	Port Size
89800001		RAS2/RAS3	1/4", 3/8", 1/2"
89800002		RAS2/RAS3	3/4", 1", 1.1/4", 1.1/2"

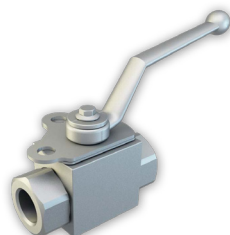


Ball Valve Locking Devices (Steel)

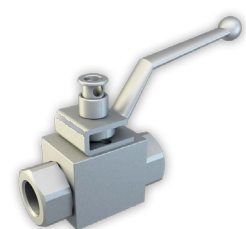
Part #	List Price \$	To Fit	Port Size
LK6-F		RAS2/RAS3	1/4", 3/8", 1/2"
LK20-F		RAS2/RAS3	3/4", 1", 1.1/4", 1.1/2"
SB6		RAS2/RAS3	1/4", 3/8", 1/2"
SB20		RAS2/RAS3	3/4", 1", 1.1/4", 1.1/2"



LK



SB



Hand Pump (Single Acting) with Relief - Remote Mounting

Remote mount dual action hand pump for single-acting cylinder, with pressure relief

Part #	List Price \$	Size	Optimal Pressure	Maximum Pressure
PMP20-BYB-E-S		20 cc	150 bar	350 bar
PMO50-BYB-E-S		50 cc	50 bar	280 bar
PMO70-BYB-E-S		70 cc	80 bar	200 bar

Remote mount dual action hand pump for single-acting cylinder, with pressure relief - plus hand release knob

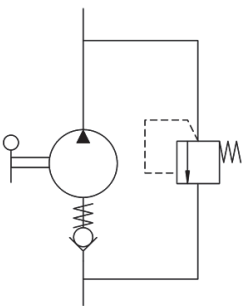
Part #	List Price \$	Size	Optimal Pressure	Maximum Pressure
PMP20-BYB-S		20 cc	150 bar	350 bar
PMO50-BYB-S		50 cc	50 bar	280 bar
PMO70-BYB-S		70 cc	80 bar	200 bar



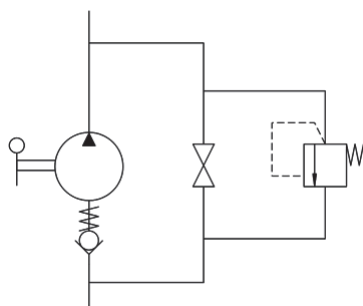
PMP



PMO



Without release hand knob

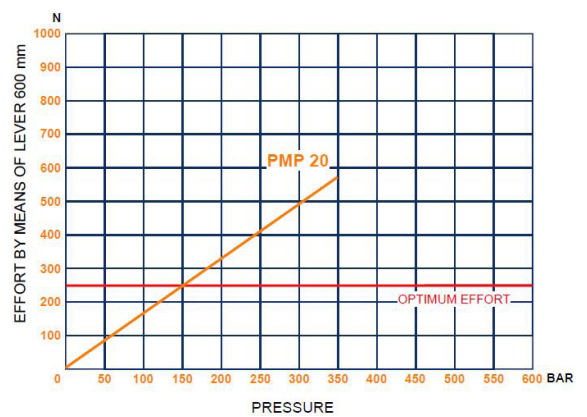


With release hand knob

20cc

EFFORT DIAGRAM

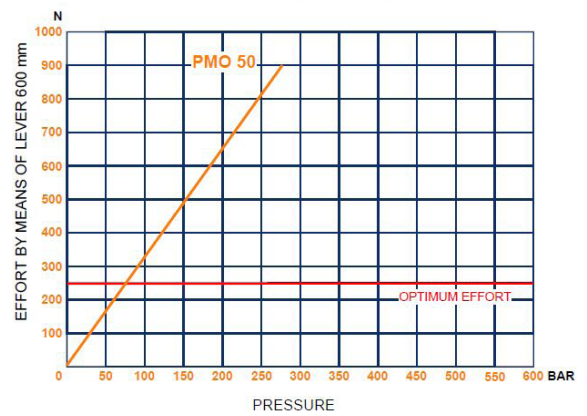
pin in D (distance between centers: 40 mm)



50cc

EFFORT DIAGRAM

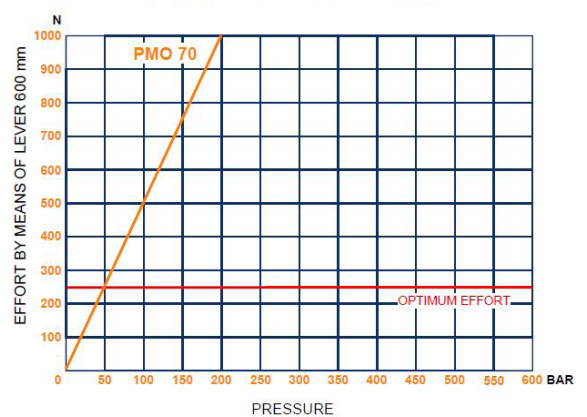
pin in E (distance between centers: 51 mm)



70cc

EFFORT DIAGRAM

pin in E (distance between centers: 51 mm)



Rubber shaft protection on all hand pumps

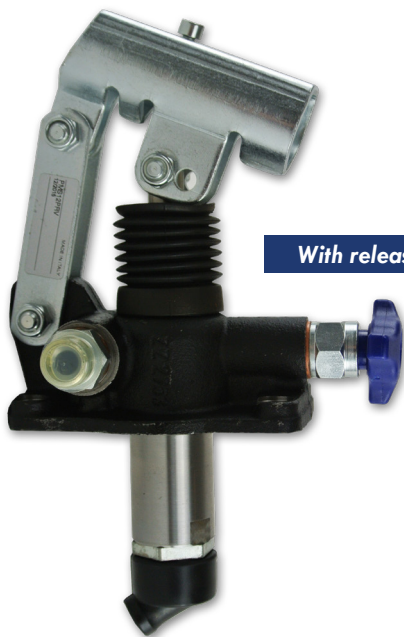
Hand Pump (Single Acting) with Relief - Tank Mount

Dual action hand pump for single-acting cylinder, for fixing to tank. Pressure relief valve with relief release hand knob.

Part #	List Price \$	Size	Optimal Pressure	Maximum Pressure
PM12-BYB-S		12 cc	220 bar	380 bar
PM25-BYB-S		25 cc	120 bar	350 bar
PM45-BYB-S		45 cc	80 bar	250 bar

Dual action hand pump for single-acting cylinder, for fixing to tank. Pressure relief valve with relief release lever.

Part #	List Price \$	Size	Optimal Pressure	Maximum Pressure
PM12-BYB-L-S		12 cc	220 bar	380 bar
PM25-BYB-L-S		25 cc	120 bar	350 bar
PM45-BYB-L-S		45 cc	80 bar	250 bar



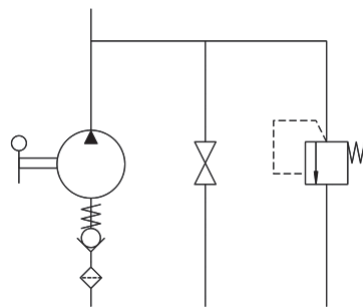
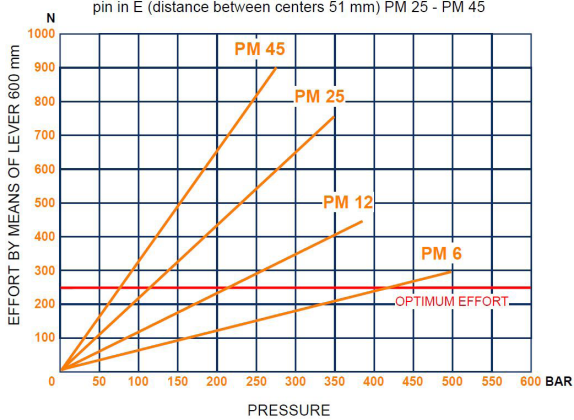
With release hand knob



With release lever

EFFORT DIAGRAM

pin in D (distance between centers 40 mm) PM 6 - PM 12
pin in E (distance between centers 51 mm) PM 25 - PM 45



Rubber shaft protection on all hand pumps

Tanks on page 68

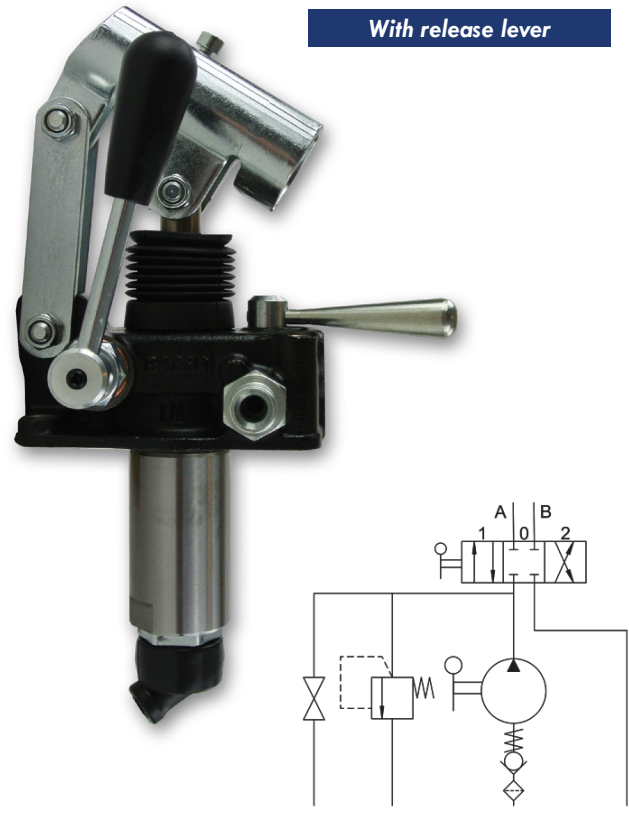
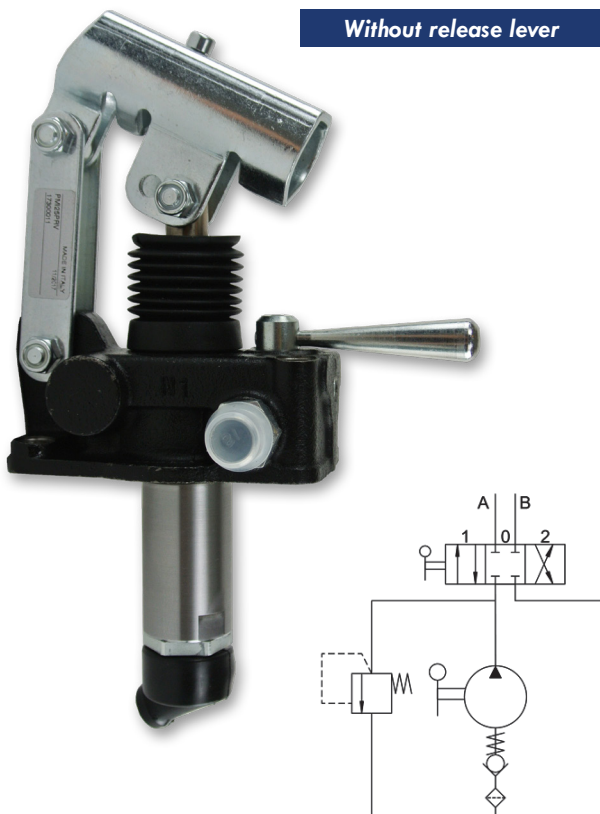
Hand Pump (Double Acting) with Relief - Tank Mount

Dual action hand pump for double-acting cylinder, for fixing to tank. Pressure relief valve, 4/3 flow divider closed centre.

Part #	List Price \$	Size	Optimal Pressure	Maximum Pressure
PMD12-BYB-S		12 cc	220 bar	380 bar
PMD25-BYB-S		25 cc	120 bar	350 bar
PMD45-BYB-S		45 cc	80 bar	280 bar

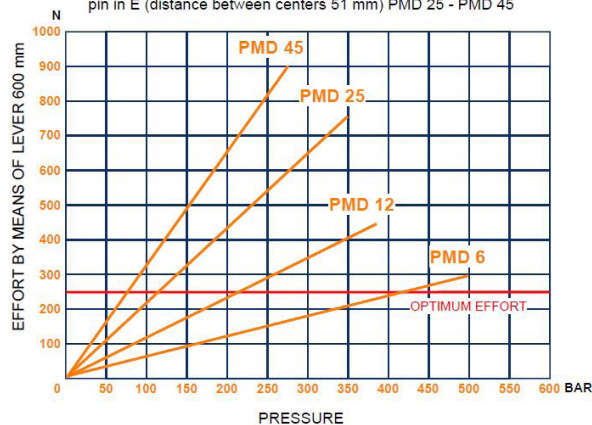
As above, with release lever.

Part #	List Price \$	Size	Optimal Pressure	Maximum Pressure
PMD12-BYA-L-S		12 cc	220 bar	380 bar
PMD25-BYA-L-S		25 cc	120 bar	350 bar
PMD45-BYA-L-S		45 cc	80 bar	280 bar



EFFORT DIAGRAM

pin in D (distance between centers 40 mm) PMD 6 - PMD 12
pin in E (distance between centers 51 mm) PMD 25 - PMD 45

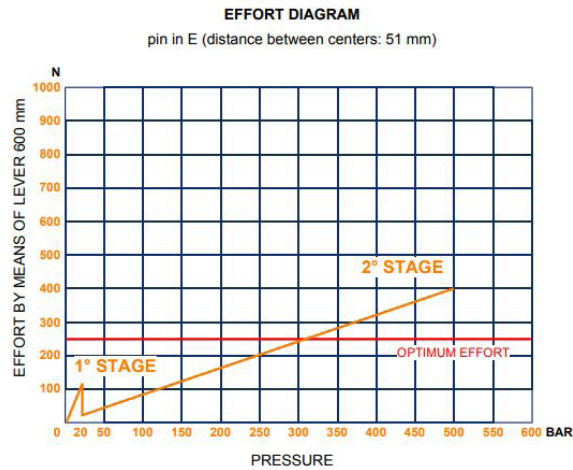
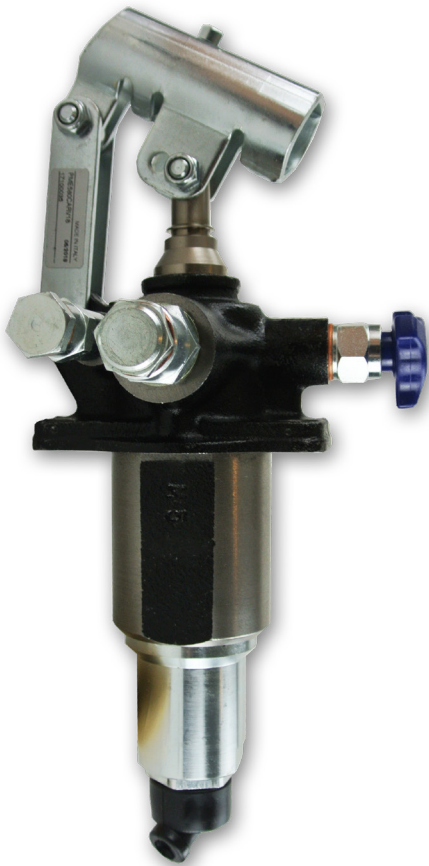


Rubber shaft protection on all hand pumps

Tanks on page 68

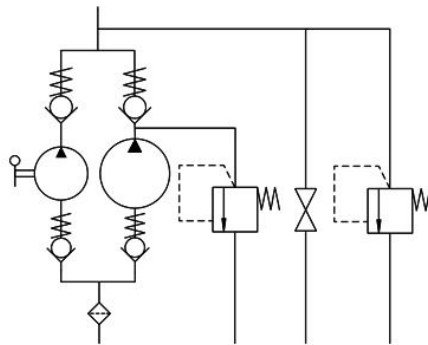
Hand Pump (Hi-Lo) with Relief - Tank Mount

Part #	List Price \$	Size		Optimal Pressure		Relief
		Stage 1	Stage 2	Stage 1	Stage 2	
PM2V5/80A-BYB-PM-S		80 cc	5 cc	500 bar	20 bar	Adjustable relief 50-500 bar



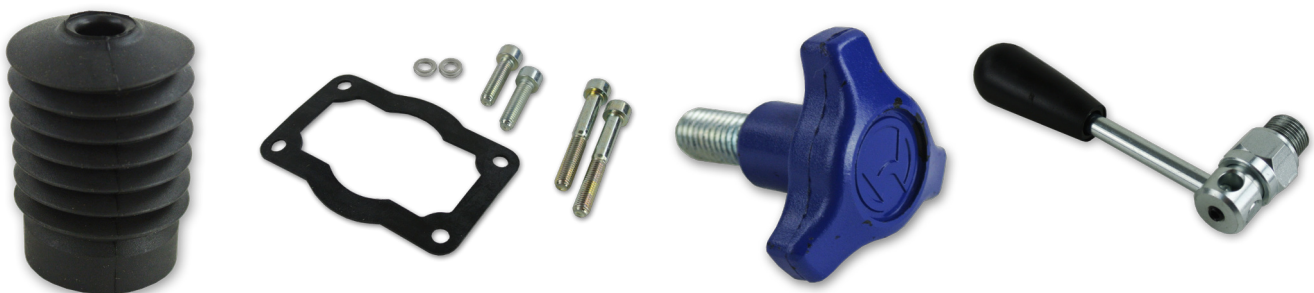
Rubber shaft protection
on all hand pumps

Tanks on page 68

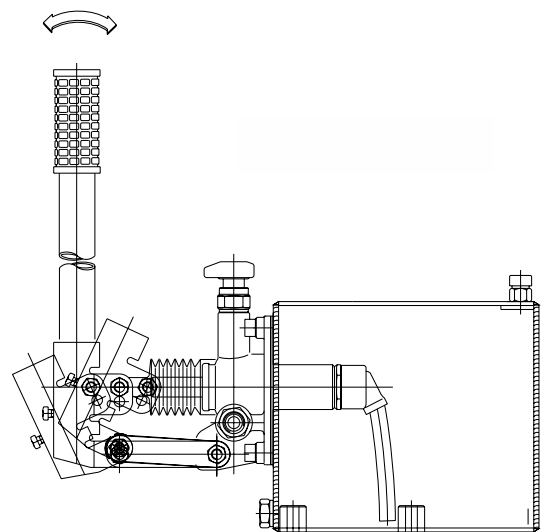
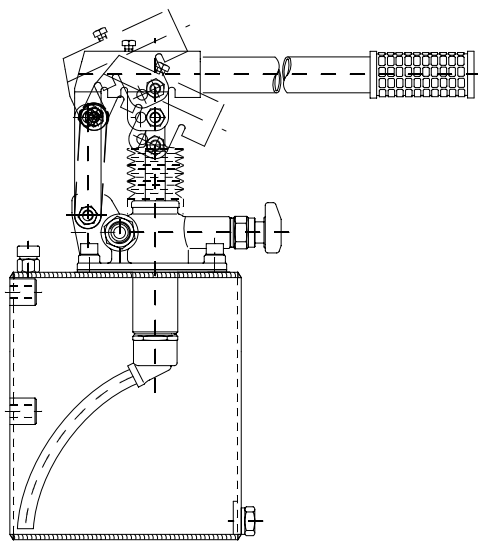
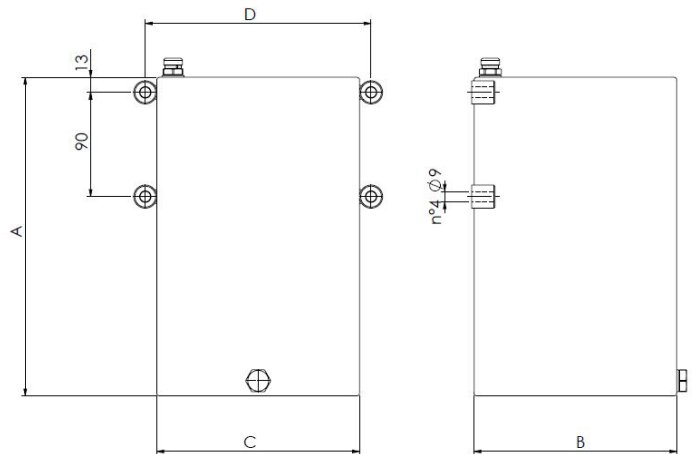


Hand Pump Accessories

Part #	List Price \$	Description
0038.0001.00.00		Rubber boot - pump shafts
6800.0009		Pump handle
3000.0000.01.00		Gasket & bolt kit - PM pumps
3000.0001.00.00		Gasket & bolt kit - PMD pumps
3000.0005.00.00		Lowering valve (blue knob)
3000.0006.00.00		Relief valve
3000.0007.00.00		Unload valve (lever)
0036.0006.00.00		Tank breather



Hand Pump Tanks						
Part #	List Price \$	Size	A	B	C	D
6500.0140		1 L	120mm	150mm	100mm	120mm
6500.0141		2 L	185mm	150mm	100mm	120mm
6500.0142		3 L	255mm	150mm	100mm	120mm
6500.0143		5 L	200mm	175mm	175mm	195mm
6500.0144		7 L	275mm	175mm	175mm	195mm
6500.0145		10 L	380mm	175mm	175mm	195mm



Breather & suction tube
on all tanks

Hydraulics Network

MELBOURNE

VICTORIA

- 📍 23 Quinlan Road, Epping, VIC 3076
- ✉️ sales@hydraulicsnetwork.com.au
- ☎️ 03 9399 8957

BRISBANE

QUEENSLAND

- 📍 29 Annie Street, Coopers Plains, QLD 4108
- ✉️ salesqld@hydraulicsnetwork.com.au
- ☎️ 07 3277 5969

www.hydraulicsnetwork.com.au

AUSTRALIAN-OWNED
INDEPENDENT HYDRAULICS WHOLESALER