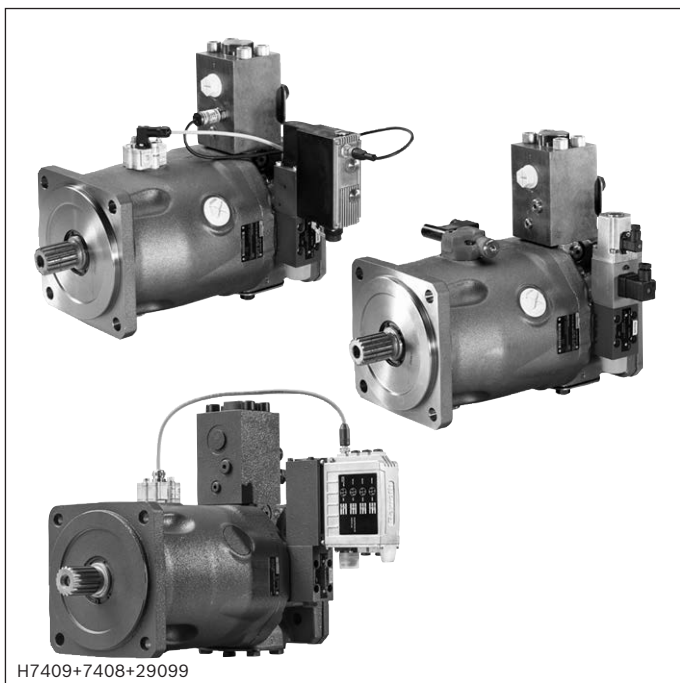


Pressure and flow control system

Type SYDFE1, SYDFEE, SYDFED, SYDFEF



- ▶ With axial piston variable displacement pump A10VSO.../32
- ▶ Size 45 ... 180
- ▶ Component series 3X
- ▶ Maximum operating pressure 280 bar
- ▶ Function: Swivel angle control, pressure control, torque limitation, speed control function, master-slave
- ▶ Communication: Sercos, PROFINET, EtherCAT, EtherNET/IP, POWERLINK, VARAN, CAN over EtherCAT, ServoDrive over EtherCAT, analog

Features

The control system is used for the electro-hydraulic control of swivel angle, pressure and power (partially optional) of an axial piston variable displacement pump.

It consists of the following components:

- ▶ Axial piston variable displacement pump A10VSO.../32
- ▶ Proportional directional valve type VT-DFP. with inductive position transducer as pilot control valve. With the exception of type SYDFE1, the pilot control valve contains the electronics for controlling the system.
- ▶ Type SYDFE1: External control electronics VT 5041-3X for realizing all electric functions necessary (separate order)
- ▶ Position transducer for sensing the swivel angle
- ▶ Pressure transducer with suitable signal level and dynamics (optional)
- ▶ Preload valve with integrated pressure relief function SYDZ (optional)

Contents

Features	1
Ordering code	2 ... 7
Installation orientation of the valve electronics	6
Section	8, 9
Schematic diagram	10 ... 12
Technical data	13 ... 15
Electrical connection	16 ... 18
LED displays:	19, 20
Control loop quality	21
Characteristic curves	21 ... 23
Dimensions	24 ... 37
Torsionally flexible couplings	37
Accessories for through-drives	38
Accessories	39
Project planning information	40
Further information	40

Ordering code: Pump of the control system

01	02	03	04	05	06	07	08	09	See following pages
	-	3X	/		R	-	V		B
									...

Series

01	Control system for external analog electronics (separate order)	SYDFE1
	Control system with internal analog electronics	SYDFEE
	Control system with internal digital electronics (Ethernet-based bus systems)	SYDFED
	Control system with internal digital electronics (Ethernet-based bus systems)	SYDFEF
	Pump combinations (see order example page 7)	SY2DFE. SY3DFE.
02	Component series 30 ... 39 (30 ... 39: unchanged installation and connection dimensions)	3X

Size

		045	071	100	140	180	
03	Displacement in cm ³	045	071	100	140	180	e.g. 071

Direction of rotation looking at the drive shaft

04	Clockwise	✓	✓	✓	✓	✓	R
----	-----------	---	---	---	---	---	----------

Hydraulic fluid

05	Mineral oil according to DIN 51524 (HLP)	✓	✓	✓	✓	✓	V
----	--	---	---	---	---	---	----------

Drive shaft variant

06	Splined shaft profile SAE J 744 ¹⁾	-	-	1 1/2"	1 3/4"	1 3/4"	S
	Splined shaft profile SAE J 744 (higher through-drive torque)	1"	1 1/4"	-	-	-	R

Connection flange according to ISO 3019-2 (4-hole)

07	Ø centering in mm	125	160	180	180	180	B
----	-------------------	-----	-----	-----	-----	-----	----------

Subplate design

08	Without shock and vibration absorption (standard)	-	✓	✓	✓	-	22U99-
		- ²⁾	-	-	-	-	22U00-
	Without shock and vibration absorption (high-speed)	-	✓	✓	✓	-	22U99S
		✓	-	-	-	-	22U00S
	With shock and vibration absorption (standard)	-	✓	✓	✓	✓	32U99-
		✓	-	-	-	-	32U00-
	With shock and vibration absorption (high-speed)	-	✓	- ²⁾	- ²⁾	-	32U99S
		✓	-	-	-	-	32U00S

Base pump variant

09	Standard (internal pilot oil)	✓	✓	✓	✓	✓	0000
	External supply	✓	✓	✓	✓ ³⁾	✓	0479
	Regenerative operation with external supply (only version "22U99-")	-	✓	✓	✓	-	0487
	Regenerative operation without external supply (only version "22U99-")	-	✓	✓	-	-	0541

¹⁾ ANSI B92.1a-1976, 30° pressure angle, flat root, side fit, tolerance class 5

²⁾ On request

³⁾ Not with version "22U99-"

Ordering code: Type SYDFE1 - pilot control and preload valve

01	02	03	04	05	06	07	08	09	10	11	12	13	14
	-	3X	/		R	-	V		B			-	*

Control spool version

10	Standard	A
	2 grooves (only for replacement requirement)	B
	4 grooves	C

Installation orientation, solenoid

11	Mating connector is orientated radially to the pump axis	0
12	Features currently not used	X0XX

Preload valve with integrated pressure limitation

13	Pressure limitation 200 bar (tolerance ± 8 bar) ⁴⁾	1
	Pressure limitation 250 bar (tolerance ± 10 bar) ⁴⁾	2
	Pressure limitation 300 bar (tolerance ± 12 bar) ^{4; 5)}	3
	Without preload valve	X
14	Further details in the plain text	*

⁴⁾ The pressure limiting function of the preload valve is designed for a maximum speed of 1800 rpm for NG140 and for a maximum speed of 1500 rpm for NG180. Higher speeds are available on request. The pressure limiting function is not suitable for continuous operation.

⁵⁾ Observe nominal pressure of pump system.

Ordering code: Type SYDFEE – pilot control and preload valve

01	02	03	04	05	06	07	08	09	10	11	12	13	14	15	16	17	
	-	3X	/		R	-	V		B							-	*

Control spool version

10	Standard	A
	4 grooves	C

Installation orientation of the integrated electronics (see page 6 and "Dimensions")

11	Radially to the pump axis	0
	Folded 90° in the direction of the subplate	2

Additional functions: Closed-loop control

12	Switchable pressure controller (high signal)	A
	Power limitation adjustable at the OBE valve	B
	Power limitation adjustable via analog input	C
	Pressure controller that can be switched off (high signal)	D

Electronics assembly

13	Standard electronics with leakage oil compensation	0
	Standard electronics without leakage oil compensation	1

Actual pressure value input (see "Electrical connections")

14	Current input 4 ... 20 mA	Port X1	C
	Voltage input 0 ... 10 V	Port X1	V
	Voltage input 1 ... 10 V	Port X1	E
	Voltage input 0.5 ... 5 V	Port X2	F

Pressure transducer

15	HM 20-2X/315-F-C13-0.5, measurement range 315 bar (0.5 ... 5 V) with connection cable 0.5 m for direct connection to X2 (only version "F")	L
	Without pressure transducer	X

Preload valve with integrated pressure limitation

16	Pressure limitation 200 bar (tolerance ± 8 bar) ⁴⁾	1
	Pressure limitation 250 bar (tolerance ± 10 bar) ⁴⁾	2
	Pressure limitation 300 bar (tolerance ± 12 bar) ^{4; 5)}	3
	Without preload valve	X
17	Further details in the plain text	*

⁴⁾ The pressure limiting function of the preload valve is designed for a maximum speed of 1800 rpm for NG140 and for a maximum speed of 1500 rpm for NG180. Higher speeds are available on request. The pressure limiting function is not suitable for continuous operation.

⁵⁾ Observe nominal pressure of pump system.

Ordering code: Order examples

Order example for single pump: SYDFEE-3X/100R-VSB32U99-0479-A0A0XX

Order example for pump combinations (material numbers or type designations must be combined with "+")

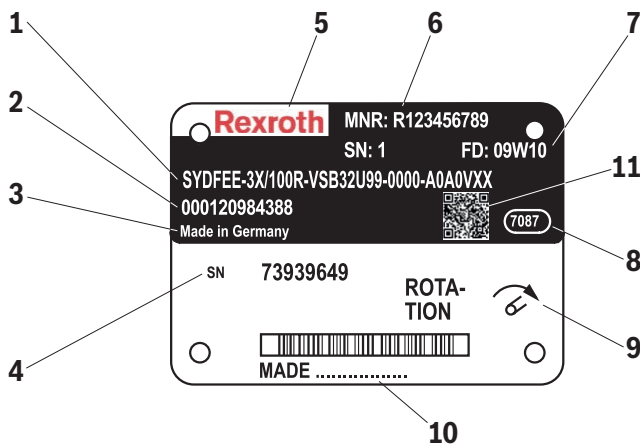
► Double pump

	Main pump (1st pump)	+ Attachment pump (2nd pump)
	SY2DFEE-3X/100-071/01177440	+ 01177441
Double pump	SY2DFEE-3X/100-071/ SYDFEE-3X/100R-VSB32U99-0000-A0A1VX3	+ SYDFEE-3X/071R-VRB32U99-0000-A0A1VX3
Size of the main pump		
Size of the attachment pump or pump abbreviation if the attachment pump is not SYDFE (e.g. PGF)		
Material number without "R9" for the main pump or type designation if material number not known		
Pump combination, mounted with accessories		
Material number without "R9" for the attachment pump or type designation if material number not known		

► Triple pump

Main pump (1st pump) + Attachment pump (2nd pump) + Attachment pump (3rd pump)
 SY3DFEE-3X/01128835 + 01151805 + 01128836

Example of name plate (single pump)

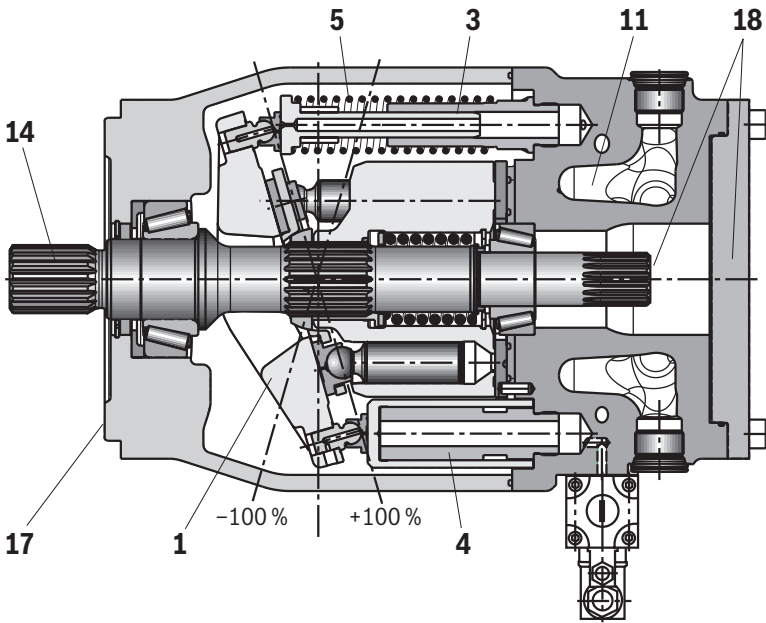


- 1 Material short text
- 2 Production order number
- 3 Designation of origin
- 4 Fabrication number
- 5 Word mark
- 6 Material number, serial number underneath
- 7 Date of production
- 8 Plant
- 9 Indication of direction of rotation
- 10 Production location
- 11 QR code

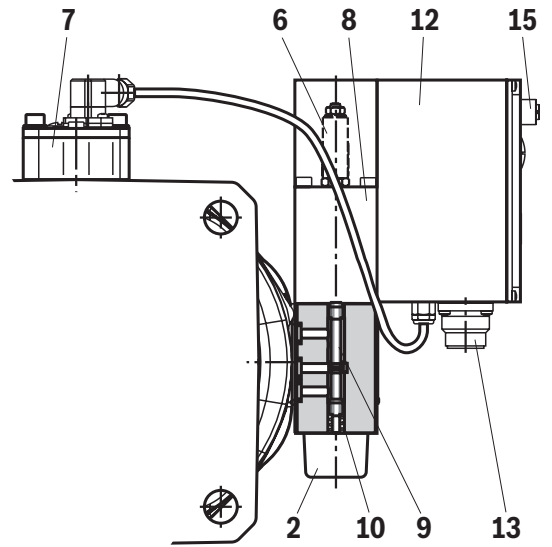
Notice:

For enquiries regarding the control system, material number, production order number, serial number, and date of production are necessary.

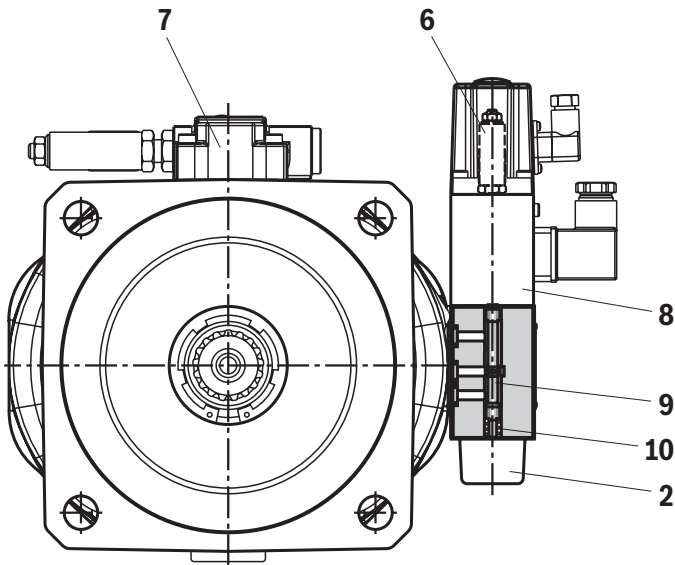
Section: Type SYDFE1, SYDFEE, SYDFED



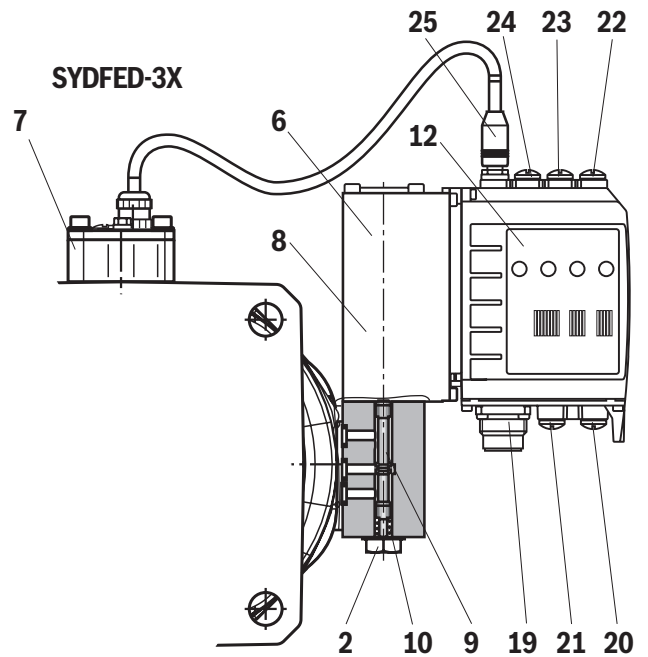
SYDFEE-3X



SYDFE1-3X



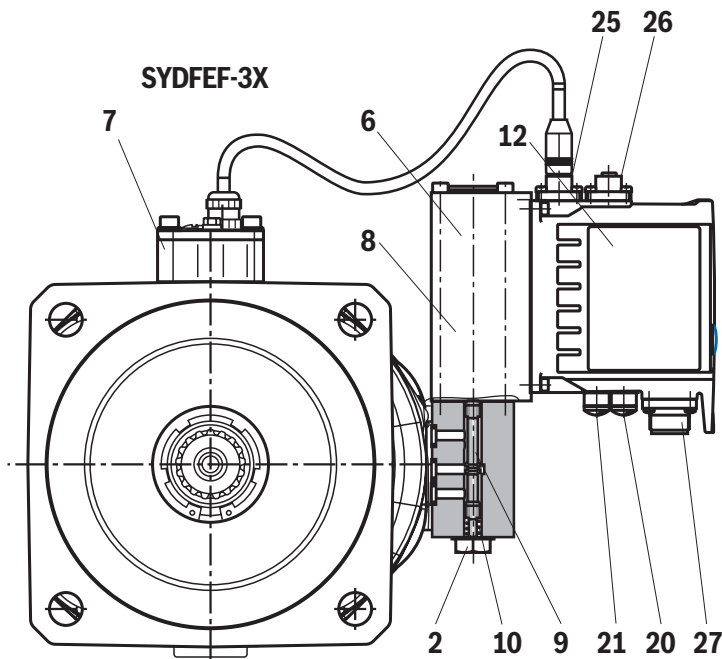
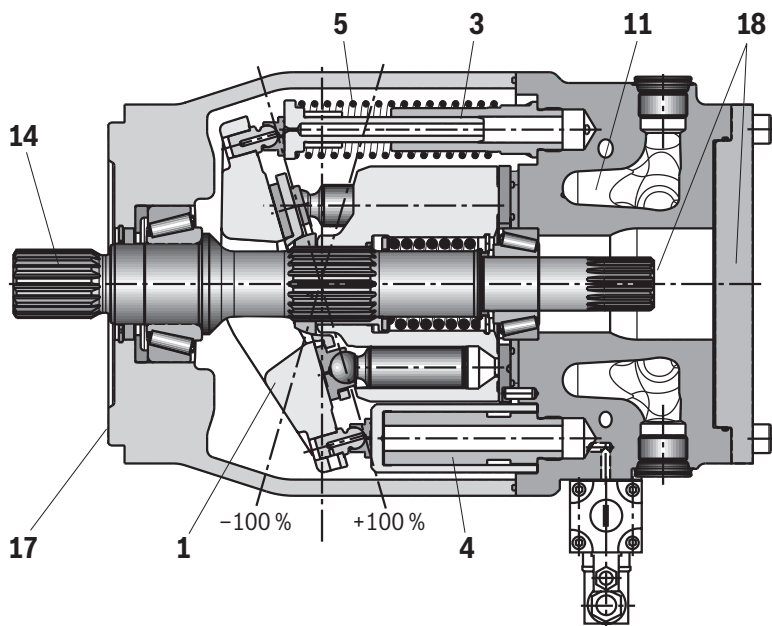
SYDFED-3X



- 1 Swash plate
- 2 Pilot control valve
- 3 Counter piston
- 4 Actuating piston
- 5 Spring
- 6 Inductive position transducer for valve position
- 7 Swivel angle position sensor
- 8 Proportional solenoid
- 9 Valve spool
- 10 Spring
- 11 Pre-compression volume PCV
- 12 Integrated electronics
- 13 Connector X1
- 14 Drive shaft

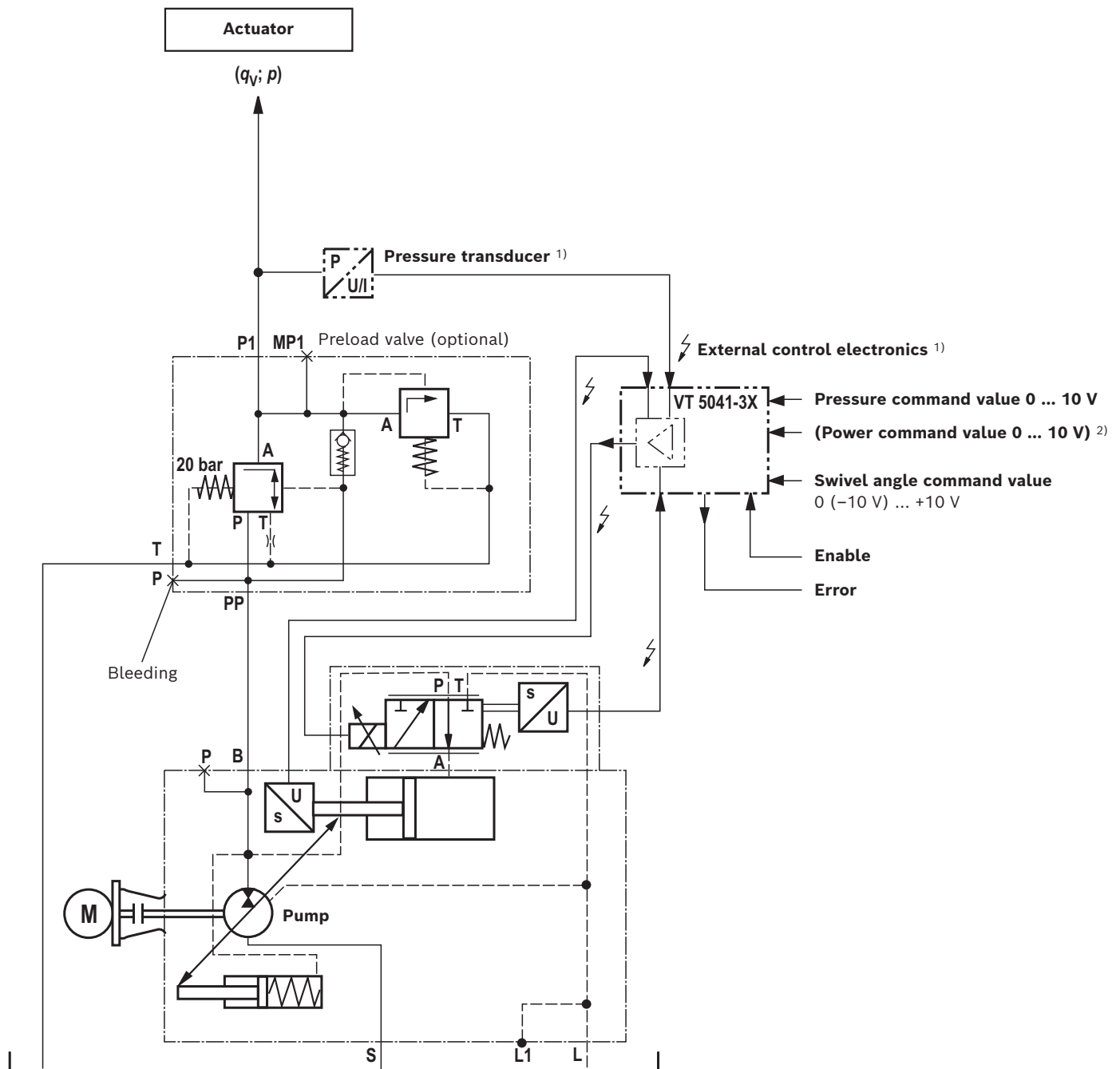
- 15 Connector X2 for connecting the pressure transducer HM 20, cable version (for SYDFEE only with actual pressure value input "F")
- 17 Connection flange
- 18 Through-drive "U.." closed with cover
- 19 Connector XH4
- 20 Multi Ethernet interface X7E1
- 21 Multi Ethernet interface X7E2
- 22 Configurable sensor interface X2M1
- 23 Configurable sensor interface X2M2
- 24 Reserved, X2N
- 25 Actual swivel angle value input X8A

Section: Type SYDFEF



- | | |
|--|--|
| 1 Swash plate | 14 Drive shaft |
| 2 Pilot control valve | 17 Connection flange |
| 3 Counter piston | 18 Through-drive "U.." closed with cover |
| 4 Actuating piston | 20 Multi Ethernet interface X7E1 |
| 5 Spring | 21 Multi Ethernet interface X7E2 |
| 6 Inductive position transducer for valve position | 25 Actual swivel angle value input X8A1 |
| 7 Swivel angle position sensor | 26 Configurable sensor interface X2N |
| 8 Proportional solenoid | 27 Connector XH1 |
| 9 Valve spool | |
| 10 Spring | |
| 11 Pre-compression volume PCV | |
| 12 Integrated electronics | |

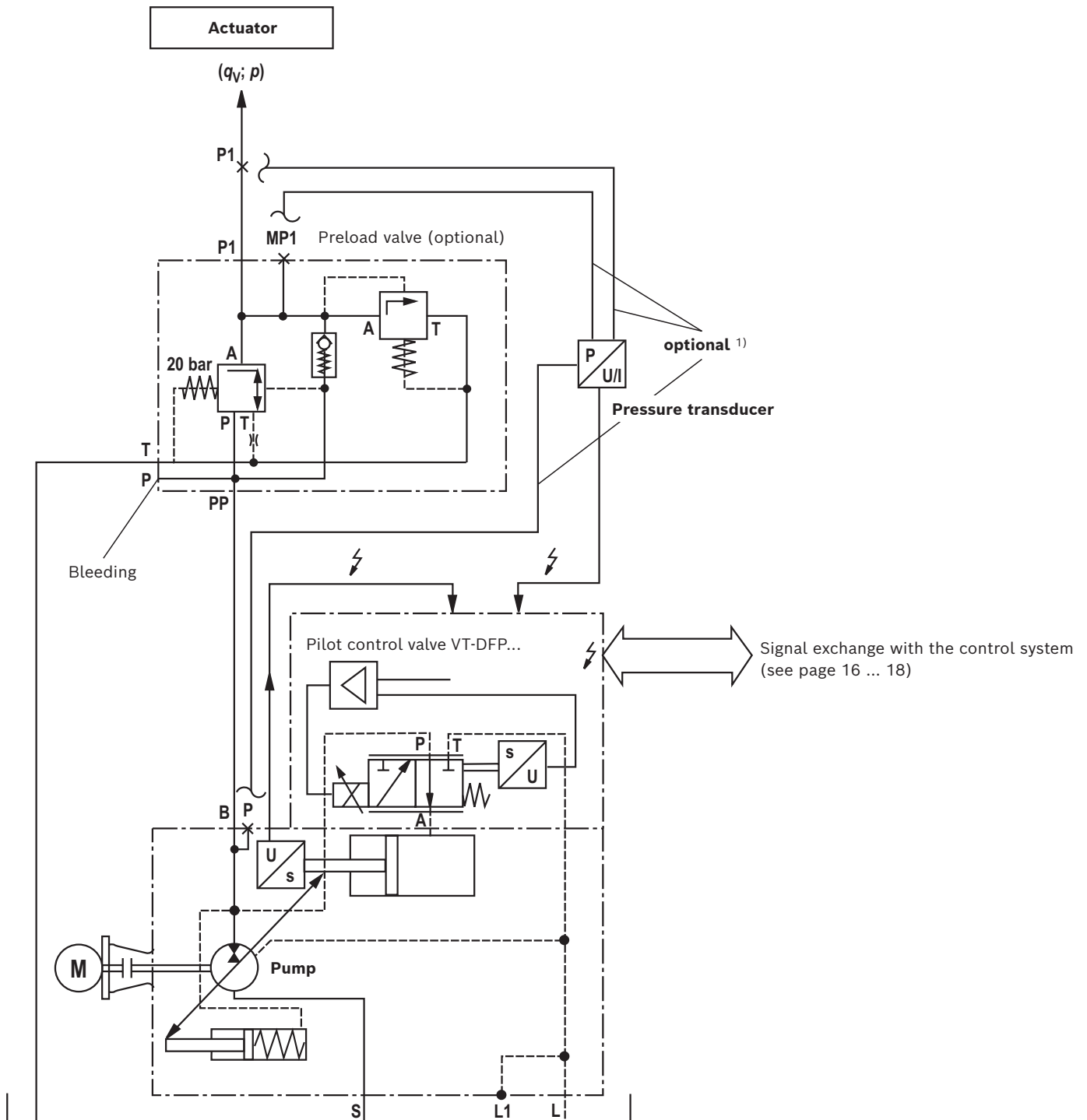
Schematic diagram: Type SYDFE1 – actuating system supplied internally



¹⁾ Separate order

²⁾ Optional

Details regarding the electrical circuitry, see data sheet 30242

Schematic diagram: Type SYDFEE, SYDFED, SYDFEF – actuating system supplied internally


- 1) ▶ When using the HM 20 pressure transducer, cable version:
 Installation in P (pump) or MP1 (preload valve) in connection with actual pressure value input "F".
- ▶ Using an external pressure transducer:
 Installation in line P1 (preferably near the actuator) and electrical connection via the central plug.
- ▶ Using a preload valve: Connection of the pressure transducer to P1 or MP1.

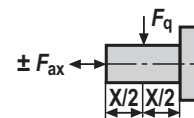
Important notice:
 The actual pressure value at pressure port B must not be less than 10 bar for more than 10 minutes (lubrication).

Technical data

(For applications outside these values, please consult us!)

Mechanical and hydraulic						
Size	NG	45	71	100	140	180
Displacement	cm ³	45	71	100	140	180
Maximum speed	▶ Standard	rpm	1800 ¹⁾	1800 ¹⁾	1800 ¹⁾	1800 ²⁾
	▶ High-speed	rpm	3000 ²⁾	2550 ²⁾	2300 ²⁾	2050 ^{2); 10)}
Minimum speed	rpm	250				
Maximum flow	▶ Maximum speed (standard)	l/min	81	128	180	252
	▶ Maximum speed (high-speed)	l/min	135	181	230	287
	▶ $n_E = 1500$ rpm	l/min	67.5	106.7	150	210
Maximum power ($\Delta p = 280$ bar)	▶ Maximum speed (standard)	kW	38	59.7	84	118
	▶ Maximum speed (high-speed)	kW	62.8	85	107	134
	▶ $n_E = 1500$ rpm	kW	31	50	70	98
Maximum torque ($\Delta p = 280$ bar, $n_{0\ max}$)	Nm	200	317	446	624	802
Maximum drive torque	▶ Splined shaft "S" overall torque	Nm			1104	1620
	▶ Maximum through-drive torque	Nm			778	1266
	▶ Splined shaft "R" overall torque	Nm	400	644		
	▶ Maximum through-drive torque	Nm	365	548		
Drive shaft load (see below)	▶ Maximum axial force	N	1500	2400	4000	4800
	▶ Maximum radial force ³⁾	N	1500	1900	2300	2800
Mass	▶ Pump without through-drive (incl. pilot control valve)	kg	32	49	71	75
	▶ Additional preload valve	kg	3.3	6.3	6.3	6.3
	▶ In addition, in case of external supply	kg	2	2	2	2
Moment of inertia around drive axis	kgm ²	0.0035	0.0087	0.0185	0.0276	0.033
Filling quantity of the housing	l	1.0	1.6	2.2	3.0	2.7
Nominal pressure	bar	280				
Maximum operating pressure	bar	350 ⁴⁾				
Minimum operating pressure	▶ With preload valve	bar	≥ 1			
	▶ Without preload valve	bar	≥ 20			
	▶ External supply (20 bar)	bar	>10 in continuous operation; for operation below 10 bar see page 11.			
Admissible inlet pressure at suction port S	▶ Standard	bar	0.8 ... 10			
	▶ High-speed		1.0 ... 10			
Hydraulic fluid		Mineral oil (HLP) according to DIN 51524 ⁵⁾				
Hydraulic fluid temperature range	°C	-20 ... +70 ⁵⁾				
Maximum admissible degree of contamination of the hydraulic fluid, cleanliness class according to ISO 4406 (c)		Class 18/16/13 (for particle size ≤ 4/6/14 μm)				

- 1) The values are applicable at an absolute pressure of 0.8 bar in suction port S.
- 2) The values are applicable at an absolute pressure of 1.0 bar in suction port S.
- 3) In case of higher radial forces, please consult us
- 4) See also data sheet 92714
- 5) For version "32U..S" 30 ... 60 °C. Mineral oil HLP/HLPD 32/46 according to DIN 51524 must be used.
- 10) Higher speeds are available on request.



Technical data

(For applications outside these values, please consult us!)

Electric				
Type			SYDFEE	
Operating voltage		VDC	24 ^{+40%} _{-5%}	
Operating range (short-time operation)	▶ Upper limit value	V	35	
	▶ Lower limit value	V	21	
Current consumption (in static control operation)	▶ Rated current	A	0.6	
	▶ Maximum current	A	1.25	
Inputs	▶ Actual pressure value input X1; pin 10 and 11		Determination by means of ordering code	
	▶ Analog, current, load ⁶⁾	Ω	100	
	▶ Analog, voltage	kΩ	≥ 50	
	▶ Digital	Logic 0	V	≤ 0.6
Logic 1		V	≥ 21	
Outputs	▶ p_{actual}	V	0 ... 10	
		mA	1.5	
	▶ a_{actual}	V	± 10	
		mA	1.5	
	▶ Digital	Logic 0	V	$U_a < 1 \text{ V}$
		Logic 1	V	$U_a \geq U_B - 5 \text{ V}; 10 \text{ mA}$ (short-circuit-proof)
Ambient temperature range at the pump		°C	0 ... 60	
Storage temperature range (pump + electronics)		°C	0 ... 70	
Electronics design			Integrated at pilot control valve (OBE)	
Protection class according to EN 60529	▶ Pump incl. pilot control valve		IP65 (with correctly installed electrical connection)	

⁶⁾ Maximum admissible input current 30 mA for configuration on current input.

**Notice:**

Electrical data type SYDFE1 see data sheet 30242.

Technical data

(For applications outside these values, please consult us!)

Electric			
Type		SYDFED	SYDFEF
Supply voltage ⁶⁾	▶ Nominal voltage	VDC	24
	▶ Lower limit value	VDC	18
	▶ Upper limit value	VDC	36
	▶ Maximum residual ripple	Vpp	2.5
Maximum power consumption		W	40
Required fuse protection, external		A	4, time-lag
AD/DA resolution	▶ Analog inputs	Bit	12
	▶ Analog outputs ⁷⁾	Bit	10
Actual pressure value Input ⁹⁾	▶ Analog voltage	V	0 ... 10
	▶ Analog current	mA	0 ... 20 ⁶⁾
Ambient temperature range at the pump		°C	0 ... +60
Storage temperature range (pump + electronics)		°C	+5 ... +40 0 ... +40
Electronics design			Integrated at pilot control valve (OBE)
Protection class according to EN 60529	▶ Pump incl. pilot control valve		IP65 (with correctly installed electrical connection)

⁶⁾ Maximum admissible input current 30 mA for configuration on current input.

⁷⁾ Outputs are parameterizable for type SYDFED and SYDFEF. Condition as supplied see "Electrical connection".

⁸⁾ Supply voltage is used directly for the sensor connections X2M1, X2M2 and X8M with type SYDFED and SYDFEF (no internal voltage limitation).

⁹⁾ – Type VT-DFPD: XH4, pin 10 and 11 (only voltage 0 ... 10 V)
– Type VT-DFPF: XH1: pin D and E

Notice:

- ▶ For information on environment simulation testing for the fields EMC (electro-magnetic compatibility), climate and mechanical load, see data sheet 29016.
- ▶ With system versions with attached hoses ("0479" and "0487") please observe the information in the operating instructions, chapter "Maintenance".

Electrical connection: Type SYDFEE► **X1, central connection****Assignment of connector or mating connector and cable set**

Pin	Signal	Description	Signal direction	Type of signal	Assignment in cable set (accessories)	
1	+ U _B	Voltage supply	IN	24 VDC	1	Supply line 3 x 1.0 mm ²
2	0 V = L0	Reference potential for the voltage supply	–	–	2	
PE	Ground	Grounding connection for the electronics	–	–	green/yellow	
3	Fault	Signals faults, e.g. cable break command / actual values, controller monitoring (logic 0 = error)	OUT	logic 24 V	white	Supply line 10 x 0.14 mm ² shielded (one end of the shield must be connected to the control)
4	M0	Reference potential for analog signals	–	–	yellow	
5	α Command	Swivel angle command value	IN	analog \pm 10 V	green	
6	α Actual	Actual swivel angle value, normalized	OUT	analog \pm 10 V	violet	
7	p Command	Pressure command value	IN	analog 0 ... 10 V	pink	
8	p Actual	Actual pressure value, normalized	OUT	analog 0 ... 10 V ¹⁾	red	
9		Function depends on electronic type and additional function, see below	–	–	brown	
10	Actual pressure value H	Actual pressure value input: Signal level depends on pos. 14 in the ordering code. With version "F" (0.5 ... 5 V) reserved	IN	analog	black	
11	Actual pressure value L		–	analog	blue	
n.c.					gray	

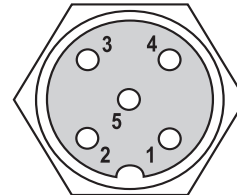
Functions at pin 9

Pin	Additional function	Function dependent on pos. 7 of the ordering code (order, see ordering code)	Signal direction	Type of signal
9	"A"	Selecting a different oil volume adjustment (switch T _D)	IN	logic 24 V
	"B"	Power limitation active	OUT	logic 24 V
	"C"	Command value of power limitation	IN	analog 0 ... 10 V
	"D"	Switch off pressure controller	IN	logic 24 V

¹⁾ When using a pressure transducer with raised zero point (e.g. 4 ... 20 mA), a voltage of –1 ... –2.5 V will be output in case of a cable break.

► **X2, connection of pressure transducer HM 20**

Pin	Signal HM 20	Pin	
1	OUT, +U _B	2	n.c.
3	Reference L0		
4	IN, analog, 0.5 ... 5 VDC	5	n.c.

**Notes:**

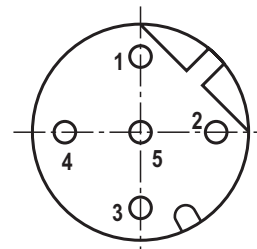
- Mating connectors, separate order, see page 39.
- Electrical connection for type SYDFE1 see data sheet 30242.

Electrical connection: Type SYDFED► **XH4, central connection****Assignment of connector or mating connector and cable set**

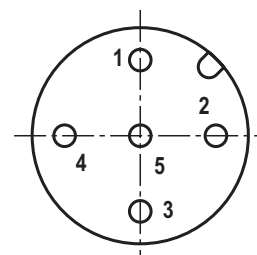
Pin	Signal	Description	Signal direction	Type of signal	Assignment in cable set (accessories)
1	+ U_B	Voltage supply	IN	24 VDC	1
2	0 V = L0	Reference potential for the voltage supply	–	–	2
PE	Ground	Grounding connection for the electronics	–	–	green/yellow
3	DO	Switching output 24 V max. 1.5 A Factory setting: Error signal	OUT	logic 24 V	white
4	M0	Reference potential for analog signals	–	–	yellow
5	AI2	Analog input 2 (or digital input, configuration via software)	IN	analog ± 10 V (digital 24 V)	green
6	AO2	Analog output 2 Factory setting: Actual swivel angle value, normalized	OUT	analog ± 10 V or 0 ... 20 mA ¹⁾	violet
7	AI1	Analog input 1 (or digital input, configuration via software)	IN	analog ± 10 V (digital 24 V)	pink
8	AO1	Analog output 1 Factory setting: Actual pressure value, normalized	OUT	analog ± 10 V or 0 ... 20 mA ¹⁾	red
9	DI	Digital input (use freely configurable)	IN	logic 24 V	brown
10	Actual pressure value H	Actual pressure value input (analog input 8): Signal level depends on parameter setting. Factory setting dependent on pos. 14 of the ordering code: 0 ... 10 V (V) or deactivated (F)	IN	analog 0 ... 10 V (freely configurable)	black
11	Actual pressure value L		–	analog	blue
n.c.					gray

Supply line
3 x 1.0 mm²Supply line
10 x 0.14 mm²
shielded
(one end of
the shield
must be
connected
to the control)► **X7E1 and X7E2, connector pin assignment for Ethernet interface (coding D), M12, 4-pole, socket**

Pin	Assignment
1	TxD +
2	RxD +
3	TxD –
4	RxD –
5	Not used

► **X2M1 and X2M2, analog configurable sensor interface (coding A), M12, 5-pole, socket**

Pin	Assignment
1	+ 24 V voltage output (sensor supply) ²⁾
2	Sensor signal input current (4 ... 20 mA) ³⁾
3	GND
4	Sensor signal input voltage (0 ... 10 V) ³⁾
5	Negative differential amplifier input to pin 4 (optional)



- 1) If the analog inputs AI1 and AI2 are not used, the analog outputs AO1 and AO2 may be parameterized as current outputs (e.g. if the command value presetting is realized via the field bus).
- 2) Maximum load capacity 50 mA, voltage output same as voltage supply connected to input XH4.
- 3) Only one signal input per interface configurable

Notes:

- X2N, reserved (not used)
- X8A, actual swivel angle value input (coding A), M12, 5-pole, socket M12
- Mating connectors, separate order, see page 39.

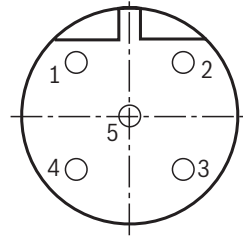
Electrical connection: Type SYDFEF► **XH1, central connection****Assignment of connector or mating connector and cable set**

Pin	Signal	Description	Signal direction	Type of signal	Assignment in cable set (accessories)
A	+ U _B	Voltage supply	IN	24 VDC	brown
B	0 V = L0	Reference potential for the voltage supply	–	–	yellow
PE	Ground	Grounding connection for the electronics	–	–	green/yellow
C	–	Do not use	–	–	green
D	AI1	Analog input 1 (freely-configurable)	IN	analog ± 10 V or 0 ... 20 mA	blue
E	M0	Reference potential for analog signals	–	–	gray
F	AO1	Analog output 1 (freely-configurable)	OUT	analog ± 10 V or 0 ... 20 mA	white

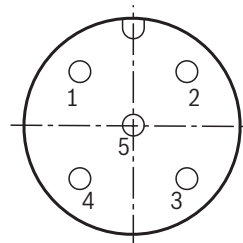
Line
7 x 0.75 mm²
shielded
(one end of the
shield must be
connected
to the control)

► **X7E1 and X7E2, connector pin assignment for Ethernet interface (coding D), M12, 4-pole, socket**

Pin	Assignment
1	TxD +
2	RxD +
3	TxD –
4	RxD –
5	Not used

► **X2N, analog configurable sensor interface (coding A), M12, 5-pole, socket**

Pin	Assignment
1	+ 24 V voltage output (sensor supply) ¹⁾
2	Analog input voltage 2 (0 ... 10 V)
3	GND
4	Analog input voltage 4 (0 ... 10 V)
5	Analog input voltage 3 (0 ... 10 V)



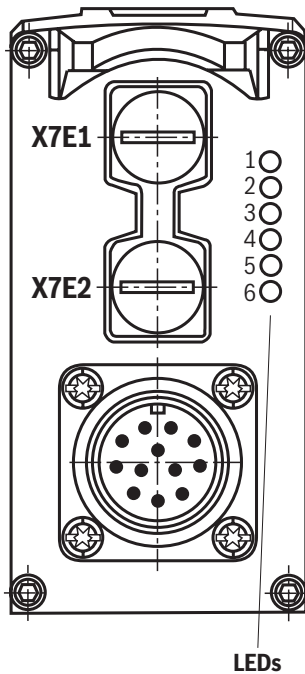
¹⁾ Maximum load capacity 3 x 25 mA, voltage output same as voltage supply connected to input XH1.

Notes:

- X8A1, actual swivel angle value input (coding A), M12, 5-pole, socket M12
- Mating connectors, separate order, see page 39.

LED displays: Type SYDFED

LED	Interface	Sercos	EtherNET/IP	EtherCAT	PROFINET RT	POWERLINK	VARAN
1	X7E1	Activity	Activity	not used	Activity	not used	Active
2		Link	Link	Link/activity	Link	Link/data activity	Link
3	Electronics module	S	Network status	Network status	Network status	Status/error	Network status
4		Module status	Module status	Module status	Module status	Module status	Module status
5	X7E2	Activity	Activity	not used	Activity	not used	not used
6		Link	Link	Link/activity	Link	Link/data activity	not used


Displays of the status LEDs

Network status LED (LED 3)	Display status
See functional description 30338-FK	

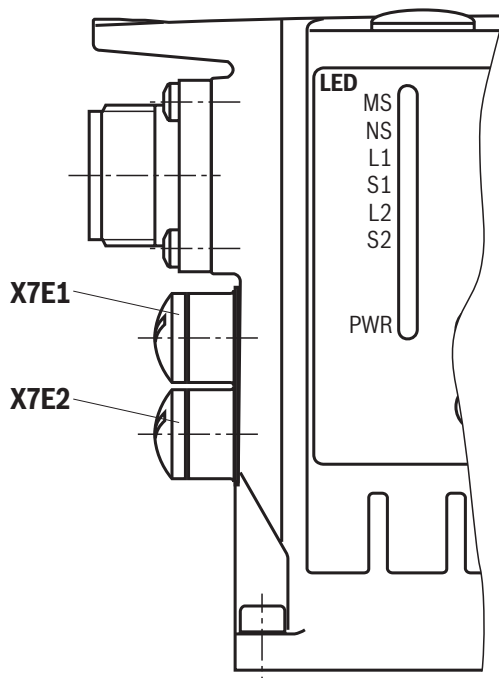
Module status LED (LED 4)	Display status
Off	No voltage supply
Green-red, flashing	Self-test
Green, flashing	Drive ready for operation
Green	In control
Orange, flashing	Warning
Red, flashing	Error

Notes:

- ▶ For the connection to the M12 sockets, we recommend using self-locking mating connectors
- ▶ LEDs 1, 2, 5 and 6 relate to interfaces "X7E1" and "X7E2"
 - Link: Cable plugged in, connection established (permanently lit)
 - Activity: Data sent/received (flashing)
- ▶ The network status LED 3 (NS) indicates the status of the control communication.
- ▶ Module status LED 4 relates to the electronics module
- ▶ For a detailed description of the diagnosis LEDs, please refer to the functional description Rexroth HydraulicDrive HDx.

LED displays: Type SYDFEF

LED	Interface	Sercos	EtherNET/IP	EtherCAT	PROFINET RT	VARAN
MS	Electronics module	Module status	Module status	Module status	Module status	Module status
NS		S	Network status and others	Network status and others	Network status and others	Network status and others
L1	X7E1	Link and others	Link and others	Link/activity	Link and others	Link and others
S1		Activity and others	Activity and others	not used	Activity and others	Active and others
L2	X7E2	Link and others	Link and others	Link/activity	Link and others	not used
S2		Activity and others	Activity and others	not used	Activity and others	not used
PWR	XH1	Power	Power	Power	Power	Power

**Displays of the status LEDs**

Power LED (LED PWR)	Display status
Off	No voltage supply
Green	Operation

Module status LED (LED MS)	Display status
Off	No voltage supply
Green-red, flashing	Initialization
Green, flashing	Drive ready for operation
Green	Drive active
Orange, flashing	Warning
Red, flashing	Error
Green, rapidly flashing	Firmware must be loaded

Notes:

- ▶ For the connection to the M12 sockets, we recommend using self-locking mating connectors
- ▶ The MS module status LED relates to the electronics module
- ▶ The NS network status LED indicates the status of the control communication, see application description 30338-FK
- ▶ LEDs L1, S1, L2 and S2 relate to interfaces "X7E1" and "X7E2"
 - Link: Cable plugged in, connection established (permanently lit)
 - Activity: Data sent/received (flashing)
- ▶ For a detailed description of the diagnosis LEDs, please refer to the functional description Rexroth HydraulicDrive HDx.

Control loop quality

	Swivel angle control	Pressure control ¹⁾
Linearity tolerance	≤ 1.0%	≤ 1.5% (≤ 1.0% ²⁾)
Temperature error	≤ 0.5% / 10 K	≤ 0.5% / 10 K
Hysteresis	≤ 0.2%	≤ 0.2%
Repetition accuracy	≤ 0.2%	≤ 0.2%

1) Without considering the pump pulsation

2) With SYDFED and SYDFEF using the integrated calibration function

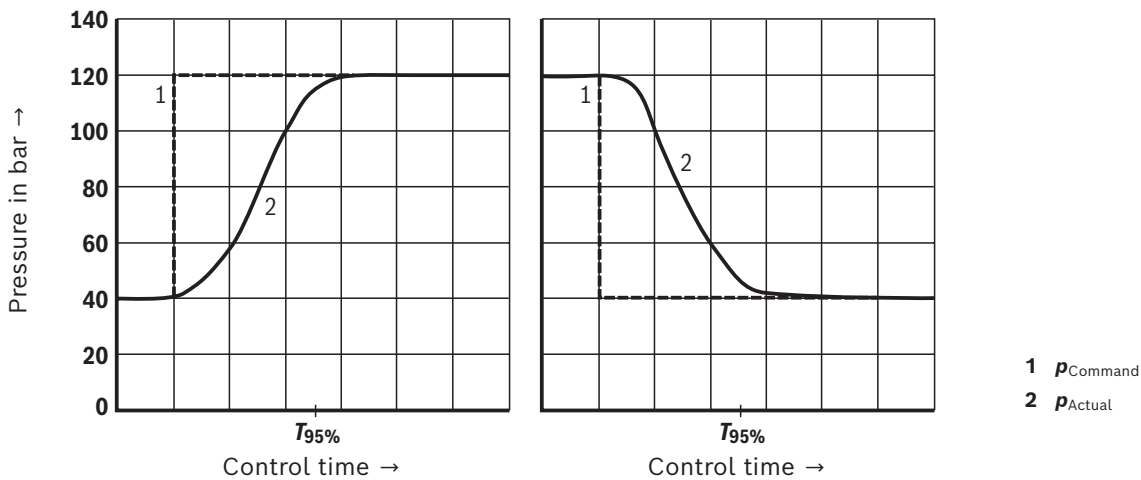
Notes:

- ▶ The specified values are only valid when using the system-related components specified in this data sheet (see page 39).
- ▶ At pressures < 20 bar, higher tolerances have to be anticipated due to lower actuating forces.

Characteristic curves

(measured with HLP46, $\vartheta_{oil} = 40 \pm 5 \text{ }^\circ\text{C}$)

Transition function for pressure command value step (control spool version "A")



$T_{95\%}$ in ms with connected hydraulic fluid volumes

(lines and actuators)

Hydraulic fluid volume in l	$T_{95\%}$ in ms
< 5	150
5 ... 10	200
15 ... 25	250

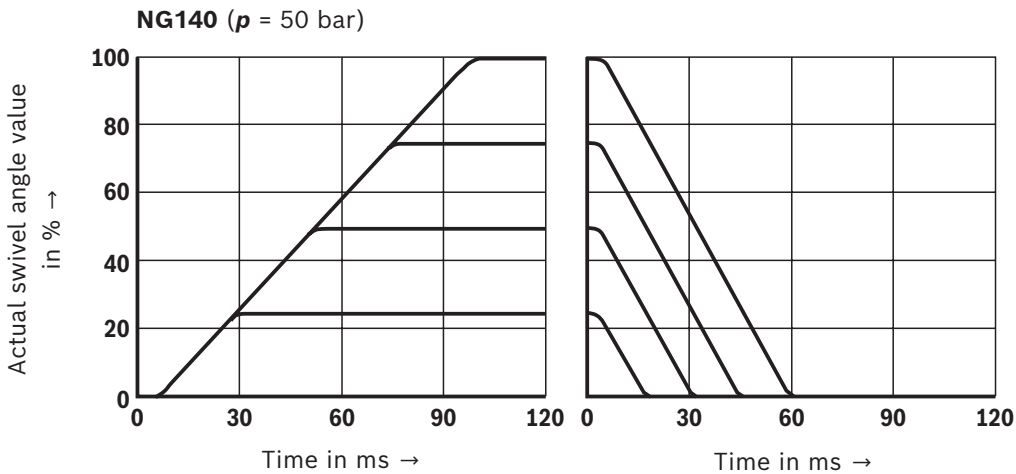
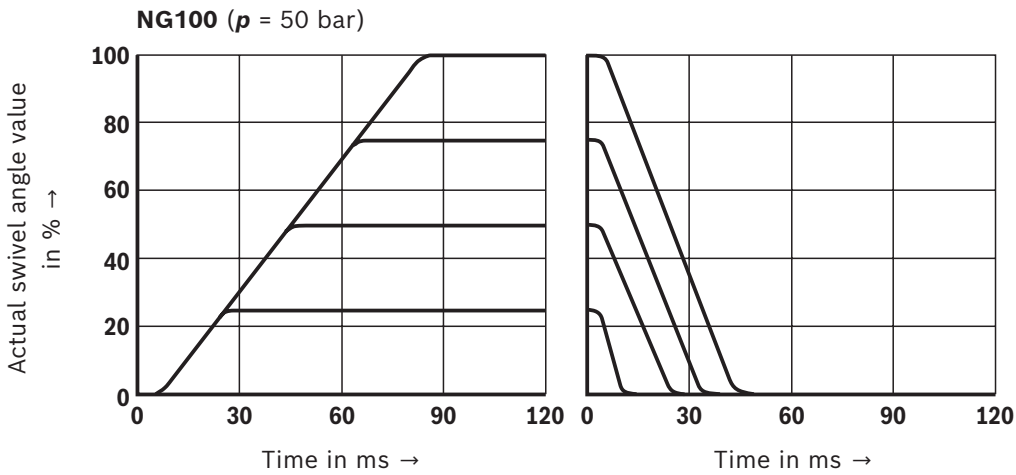
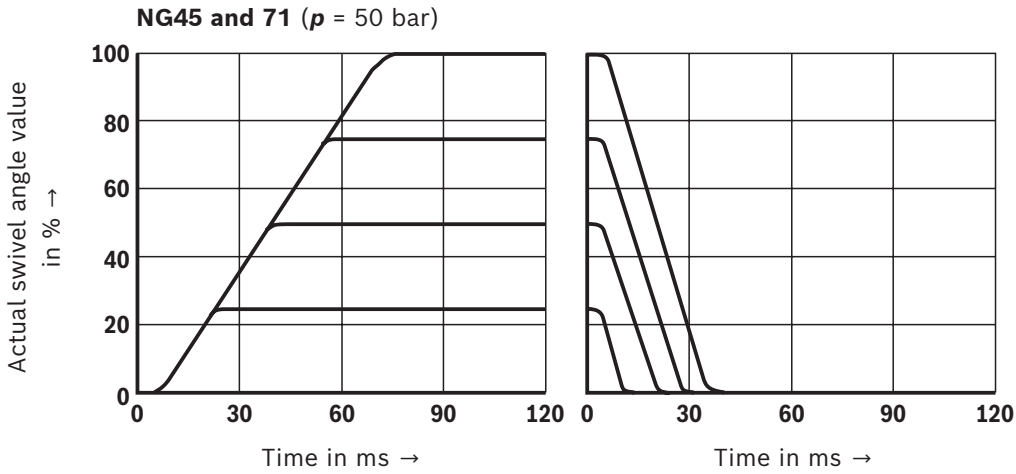
Notes:

- ▶ For pressures up to 40 bar, the values of the response times are greater.
- ▶ The specified curve shapes and control times refer to a drive speed of 1500 rpm and are only reached with an optimization of the pressure controller.

Characteristic curves

(measured with HLP46, $\vartheta_{oil} = 40 \pm 5 \text{ }^\circ\text{C}$)

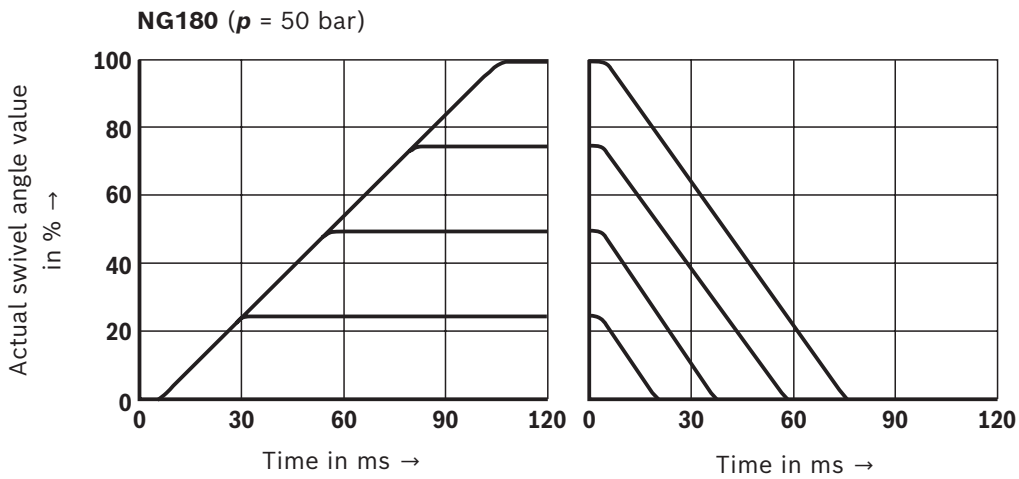
Transition function with swivel angle command value step (control spool version "A")



Characteristic curves

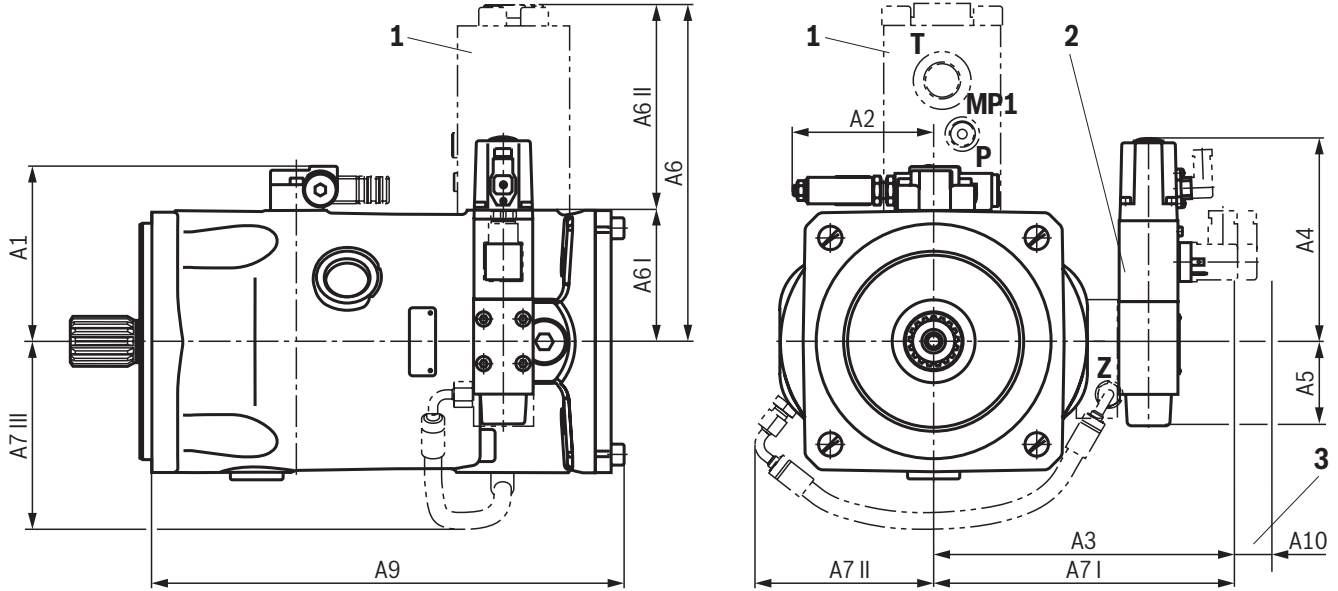
(measured with HLP46, $\vartheta_{oil} = 40 \pm 5 \text{ }^\circ\text{C}$)

Transition function with swivel angle command value step (control spool version "A")



Dimensions: Type SYDFE1
(dimensions in mm)

NG45 ... 180 (installation orientation "0"; shaft design "S" or "R"; with universal through-drive "U.."; representation NG100)



- 1 Preload valve (optional)
- 2 Pilot control valve attachment with clockwise direction of rotation
- 3 Space required for removing the mating connector

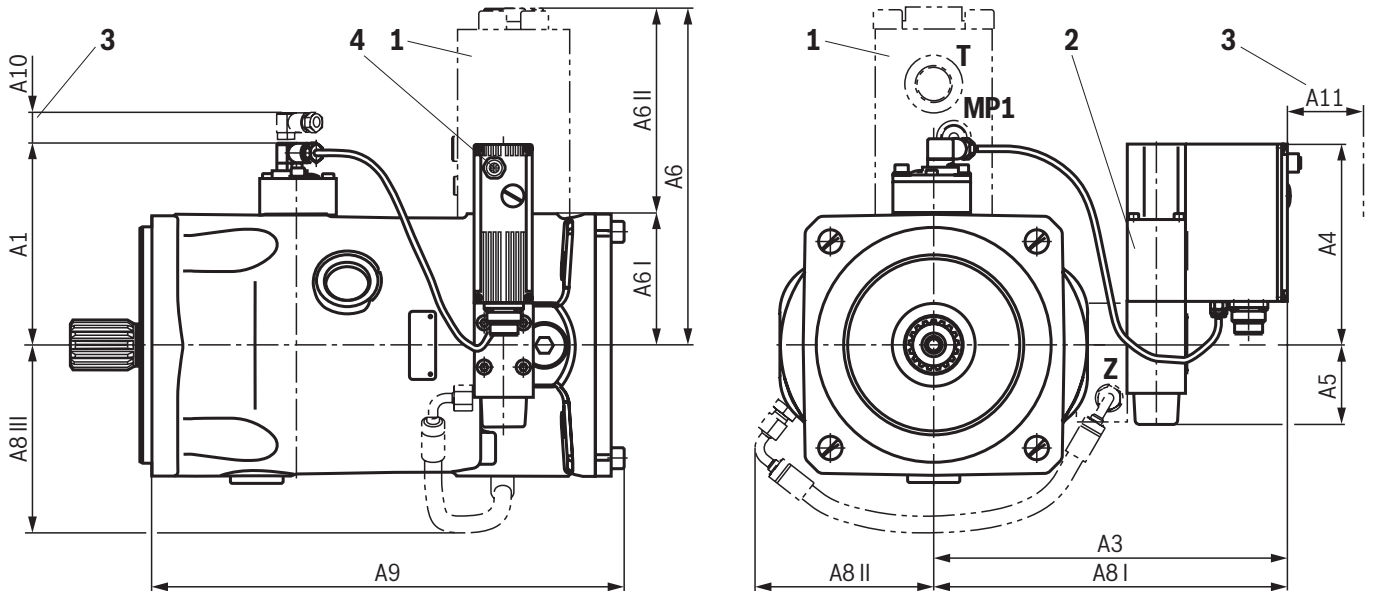
NG	A1	A2	A3 ¹⁾	A4	A5	A6	A6 I	A6 II	Version "0479" and "0487"			A9	A10	Z
									A7 I	A7 II	A7 III			
45	112	110	181	158	63	206	91	115	216	145	125	266	15	G1/4
71	124	110	189	158	63	254	104	150	224	159	150	301	15	G1/4
100	129	110	200	158	63	247	100	147	235	164	150	360	15	G1/4
140	140	110	213	158	63	257	110	147	248	182	150	377	15	G1/4
180	140	110	213	158	63	257	110	147	248	182	150	387	15	G1/4

1) Version "0000" and "0541"

Notice:
Dimensions base pump (axial piston variable displacement pump A10VSO.../32) see data sheet 92714.

Dimensions: Type SYDFEE (installation orientation "0")
(dimensions in mm)

NG45 ... 180 (installation orientation "0"; shaft design "S" or "R"; with universal through-drive "U.."; representation NG100)



- 1 Preload valve (optional)
- 2 Pilot control valve attachment with clockwise direction of rotation
- 3 Space required for removing the mating connector
- 4 Port X2 (pressure transducer HM 20) with actual pressure value input "F".

NG	A1	A3 ¹⁾	A4	A5	A6	A6 I	A6 II	Version "0479" and "0487"			A9	A10	A11	Z
								A8 I	A8 II	A8 III				
45	134	218	158	63	206	91	115	253	145	125	266	8	100	G1/4
71	146	226	158	63	254	104	150	261	159	150	301	8	100	G1/4
100	151	237	158	63	247	100	147	272	164	150	360	8	100	G1/4
140	162	250	158	63	257	110	147	285	182	150	377	8	100	G1/4
180	162	250	158	63	257	110	147	285	182	150	387	8	100	G1/4

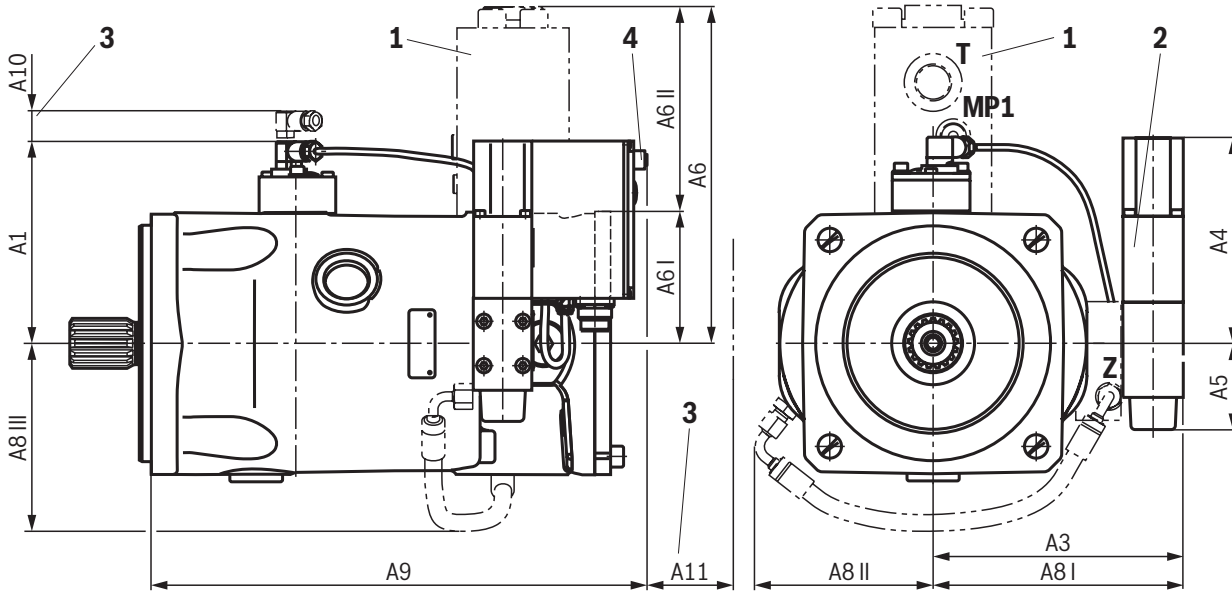
1) Version "0000" and "0541"

Notice:

Dimensions base pump (axial piston variable displacement pump A10VSO.../32) see data sheet 92714.

Dimensions: Type SYDFEE (installation orientation "2")
(dimensions in mm)

NG45 ... 180 (installation orientation "2"; shaft design "S" or "R"; with universal through-drive "U.."; representation NG100)



- 1 Preload valve (optional)
- 2 Pilot control valve attachment with clockwise direction of rotation
- 3 Space required for removing the mating connector
- 4 Port X2 (pressure transducer HM 20) with actual pressure value input "F".

NG	A1	A3 ¹⁾	A4	A5	A6	A6 I	A6 II	Version "0479" and "0487"			A9	A10	A11	Z
								A8 I	A8 II	A8 III				
45	134	138	158	63	206	91	115	173	145	125	287	8	100	G1/4
71	146	146	158	63	254	104	150	181	159	150	316	8	100	G1/4
100	151	157	158	63	247	100	147	192	164	150	372	8	100	G1/4
140	162	170	158	63	257	110	147	205	182	150	382	8	100	G1/4
180	162	170	158	63	257	110	147	205	182	150	392	8	100	G1/4

1) Version "0000" and "0541"

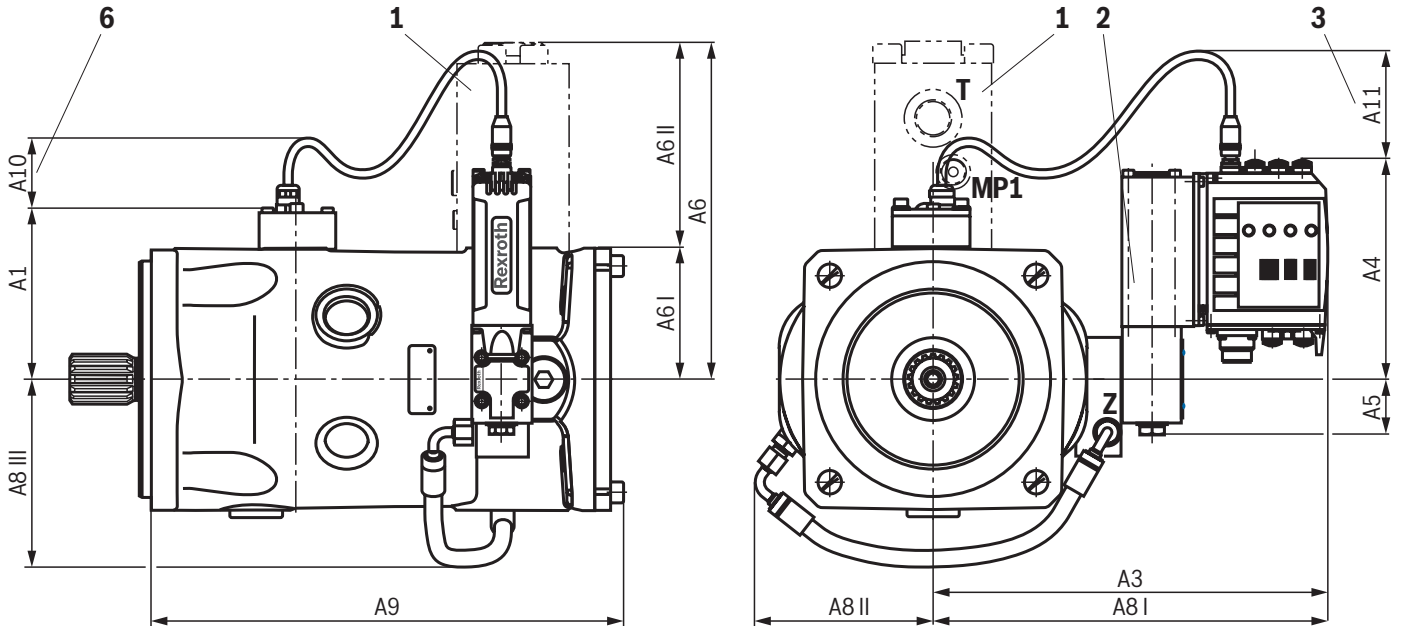


Notice:

Dimensions base pump (axial piston variable displacement pump A10VSO.../32) see data sheet 92714.

Dimensions: Type SYDFED (installation orientation "0")
(dimensions in mm)

NG45 ... 180 (installation orientation "0"; shaft design "S" or "R"; with universal through-drive "U.."; representation NG100)



- 1 Preload valve (optional)
- 2 Pilot control valve attachment with clockwise direction of rotation
- 3 Space required for removing the mating connector
- 6 Space required for the connection line

NG	A1	A3 ¹⁾	A4	A5	A6	A6 I	A6 II	Version "0479" and "0487"			A9	A10	A11	Z
								A8 I	A8 II	A8 III				
45	114	251	166	43	206	91	115	286	145	125	266	60	100	G1/4
71	126	259	166	43	254	104	150	294	159	150	301	60	100	G1/4
100	131	270	166	43	247	100	147	305	164	150	360	60	100	G1/4
140	142	294	166	43	257	110	147	329	182	150	377	60	100	G1/4
180	142	294	166	43	257	110	147	329	182	150	387	60	100	G1/4

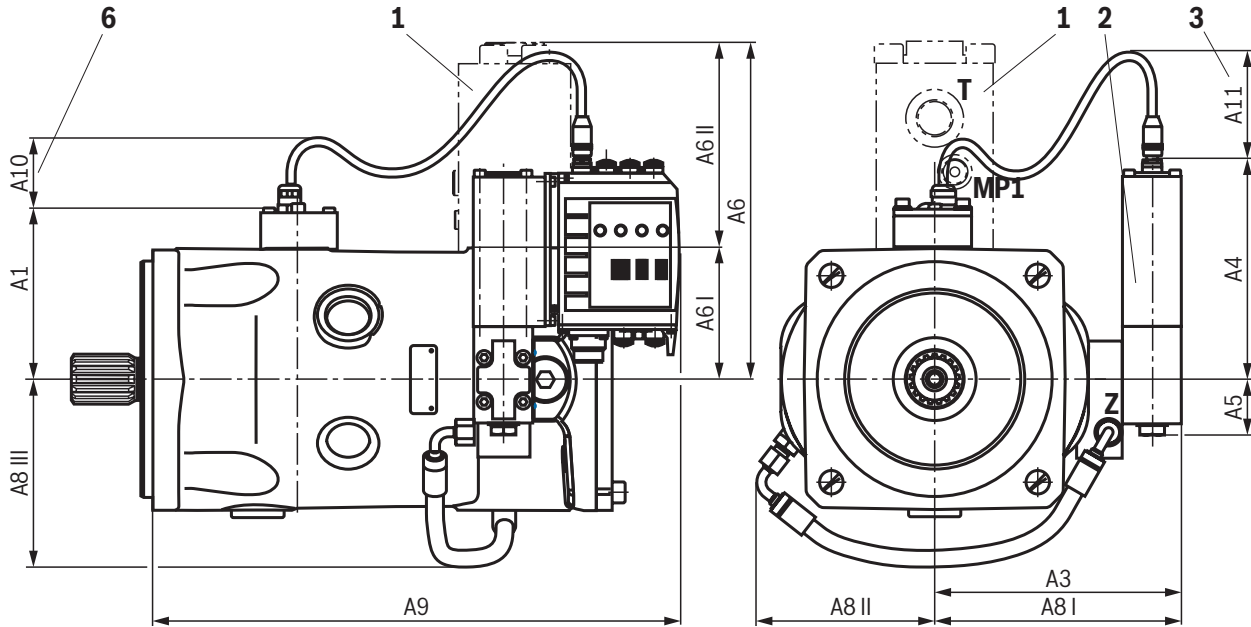
1) Version "0000" and "0541"

Notice:

Dimensions base pump (axial piston variable displacement pump A10VSO.../32) see data sheet 92714.

Dimensions: Type SYDFED (installation orientation "2")
(dimensions in mm)

NG45 ... 180 (installation orientation "2"; shaft design "S" or "R"; with universal through-drive "U.."; representation NG100)



- 1 Preload valve (optional)
- 2 Pilot control valve attachment with clockwise direction of rotation
- 3 Space required for removing the mating connector
- 6 Space required for the connection line

NG	A1	A3 ¹⁾	A4	A5	A6	A6 I	A6 II	Version "0479" and "0487"			A9	A10	A11	Z
								A8 I	A8 II	A8 III				
45	114	137	166	43	206	91	115	172	145	125	322	60	100	G1/4
71	126	145	166	43	254	104	150	180	159	150	351	60	100	G1/4
100	131	156	166	43	247	100	147	191	164	150	407	60	100	G1/4
140	142	180	166	43	257	110	147	215	182	150	417	60	100	G1/4
180	142	180	166	43	257	110	147	215	182	150	427	60	100	G1/4

1) Version "0000" and "0541"

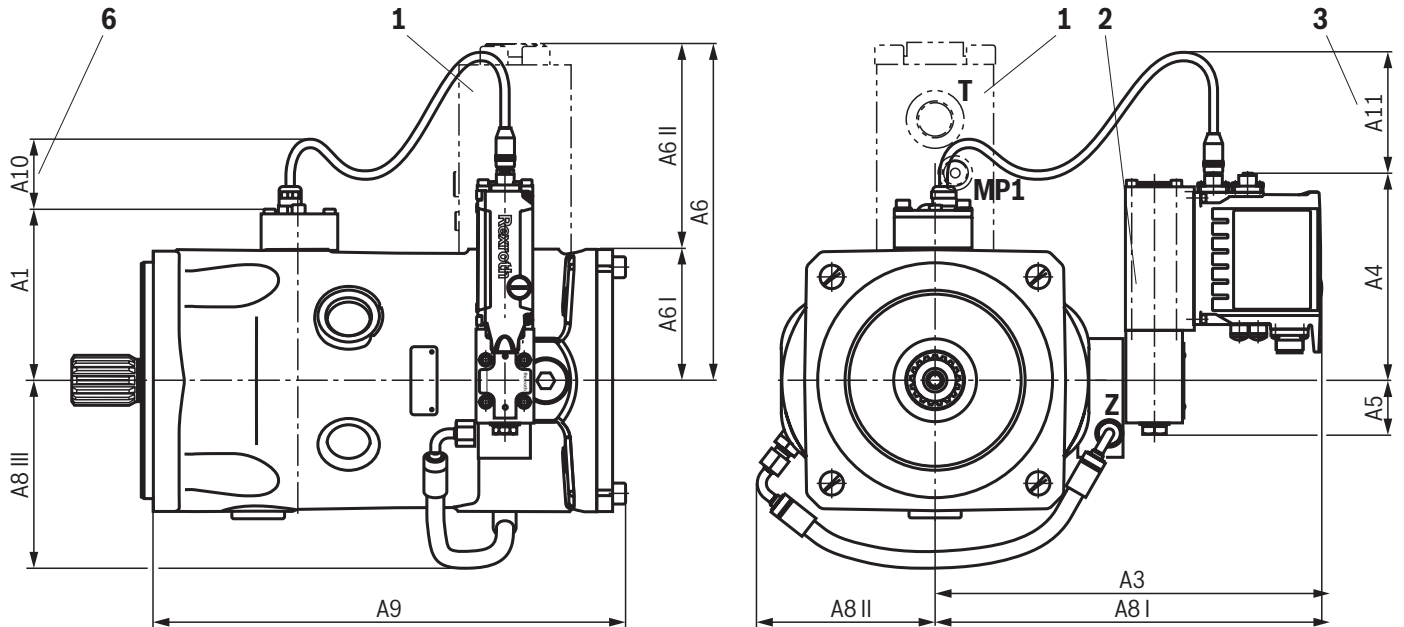


Notice:

Dimensions base pump (axial piston variable displacement pump A10VSO.../32) see data sheet 92714.

Dimensions: Type SYDFEF (installation orientation "0")
(dimensions in mm)

NG45 ... 180 (installation orientation "0"; shaft design "S" or "R"; with universal through-drive "U.."; representation NG100)



- 1 Preload valve (optional)
- 2 Pilot control valve attachment with clockwise direction of rotation
- 3 Space required for removing the mating connector
- 6 Space required for the connection line

NG	A1	A3 ¹⁾	A4	A5	A6	A6 I	A6 II	Version "0479" and "0487"			A9	A10	A11	Z
								A8 I	A8 II	A8 III				
45	114	249	166	43	206	91	115	284	145	125	266	60	100	G1/4
71	126	257	166	43	254	104	150	292	159	150	301	60	100	G1/4
100	131	268	166	43	247	100	147	303	164	150	360	60	100	G1/4
140	142	292	166	43	257	110	147	327	182	150	377	60	100	G1/4
180	142	292	166	43	257	110	147	327	182	150	387	60	100	G1/4

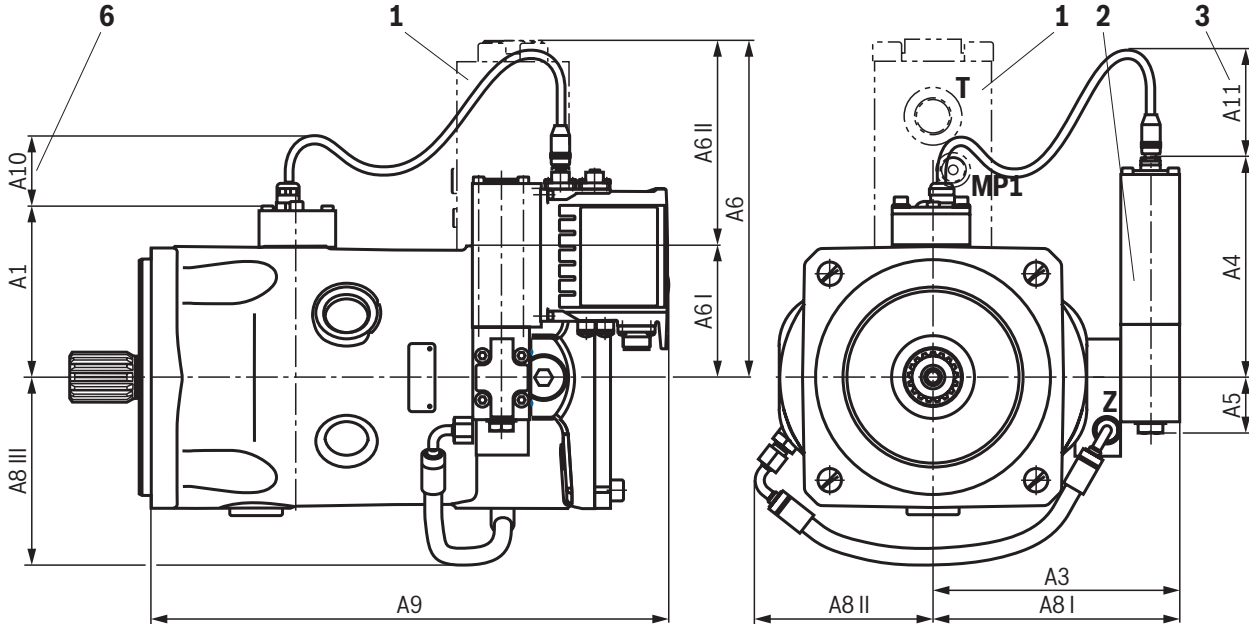
1) Version "0000" and "0541"

Notice:

Dimensions base pump (axial piston variable displacement pump A10VSO.../32) see data sheet 92714.

Dimensions: Type SYDFEF (installation orientation "2")
(dimensions in mm)

NG45 ... 180 (installation orientation "2"; shaft design "S" or "R"; with universal through-drive "U.."; representation NG100)



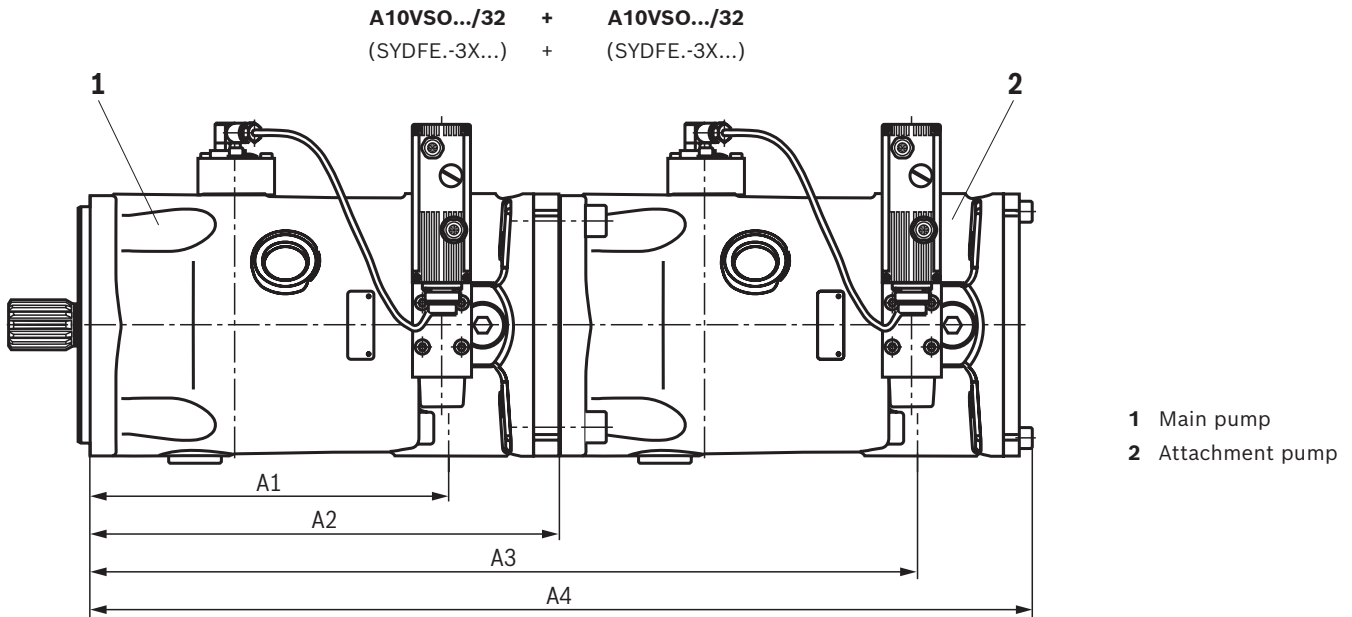
- 1 Preload valve (optional)
- 2 Pilot control valve attachment with clockwise direction of rotation
- 3 Space required for removing the mating connector
- 6 Space required for the connection line

NG	A1	A3 ¹⁾	A4	A5	A6	A6 I	A6 II	Version "0479" and "0487"			A9	A10	A11	Z
								A8 I	A8 II	A8 III				
45	114	137	166	43	206	91	115	172	145	125	320	60	100	G1/4
71	126	145	166	43	254	104	150	180	159	150	349	60	100	G1/4
100	131	156	166	43	247	100	147	191	164	150	405	60	100	G1/4
140	142	180	166	43	257	110	147	215	182	150	415	60	100	G1/4
180	142	180	166	43	257	110	147	215	182	150	425	60	100	G1/4

1) Version "0000" and "0541"

Notice:
Dimensions base pump (axial piston variable displacement pump A10VSO.../32) see data sheet 92714.

Dimensions: Combination pumps BR32 (dimensions in mm)



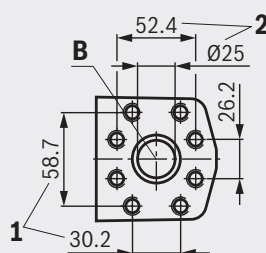
Attachment pump		Main pump																			
		A10VSO 45				A10VSO 71				A10VSO 100				A10VSO 140				A10VSO 180			
A1	A2	A3	A4	A1	A2	A3	A4	A1	A2	A3	A4	A1	A2	A3	A4	A1	A2	A3	A4		
A10VSO 18	BR31	184	264	409	459	217	299	444	494	275	360	505	555	275	377	522	572	285	387	532	582
A10VSO 28	BR31	184	264	428	470	217	299	463	505	275	360	524	566	275	377	541	583	285	387	551	593
A10VSO 45	BR31					217	299	483	523	275	360	544	584	275	377	561	601	285	387	571	611
A10VSO 45	BR32	184	264	448	530	217	299	483	565	275	360	544	626	275	377	561	643	285	387	571	653
A10VSO 71	BR32					217	299	516	600	275	360	577	661	275	377	594	678	285	387	604	688
A10VSO 100	BR32									275	360	635	720	275	377	652	737	285	387	662	747
A10VSO 140	BR32													275	377	652	754	285	387	662	764
A10VSO 180	BR32																	285	387	672	774

Dimensions: Connections (dimensions in mm)

Size		45	71	100	140	180
B	► Size	1"	1"	1 1/4"	1 1/4"	1 1/4"
Working line (SAE J518 ¹⁾)	► Mounting thread (DIN 13)	M10 x 1,5; 17 deep			M14 x 2; 19 deep	
	► Peak pressure ²⁾	bar 350				
S	► Size	1 1/2"	2"	2 1/2"	2 1/2"	2 1/2"
Suction line (SAE J518 ¹⁾)	► Mounting thread (DIN 13)	M12 x 1.75; 20 deep			M12 x 1.75; 17 deep	
	► Peak pressure ²⁾	bar 10				

Notes regarding size 71:

- With pressure connection B, two SAE fastening connections rotated by 90° are available. SAE 1 1/4" standard pressure series, 3000 psi, for pressures up to 250 bar or SAE 1" standard pressure series, 5000 psi, for pressures up to 350 bar.
- For operating pressures exceeding 250 bar, the pressure flange SAE 1" must be used.



¹⁾ Dimensions according to SAE J518 only, metric mounting thread deviating from the standard.

²⁾ Application-specific short-time pressure peaks may occur. Please observe when selecting measuring devices and fittings. Specified pressures are in bar absolute.

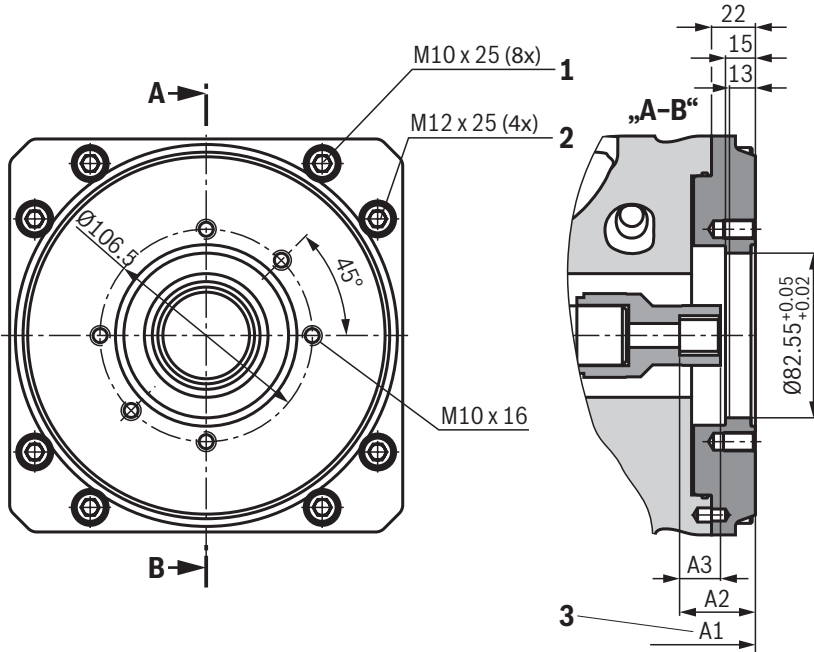
1 SAE 1 1/4"

2 SAE 1"

Dimensions: Through-drives
(dimensions in mm)

► **"U52" Flange** ISO 3019-1-82-2

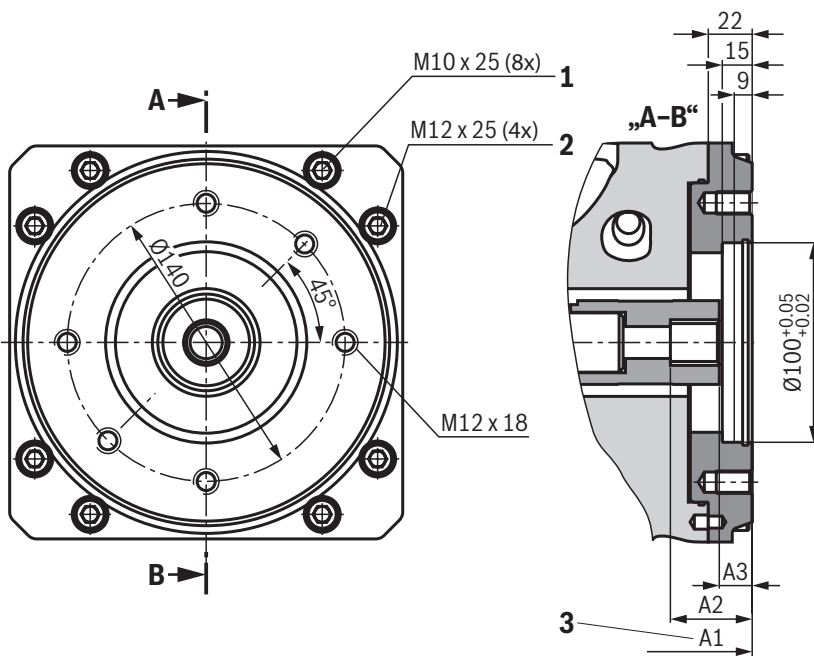
Hub for splined shaft acc. to ANSI B92.1a-1996 – 3/4" 11T 16/32DP ¹⁾ (SAE J744 - 19-4 (A-B))



NG	A1	A2	A3
45	264	38.7	18.5
71	299	38	17.5
100	360	38	17.5
140	377	38	17.5
180	387	38	17.5

► **"UB3" Flange** ISO 3019-2 - 100B2HW

Hub for splined shaft acc. to ANSI B92.1a-1996 – 7/8" 13T 16/32DP ¹⁾ (SAE J744 - 22-4 (B))



NG	A1	A2	A3
45	264	41.7	18
71	299	41	16.5
100	360	41	16.5
140	377	41	16.5
180	387	41	16.5

- 1 NG100 ... 180
- 2 NG45, 71
- 3 Up to pump mounting face

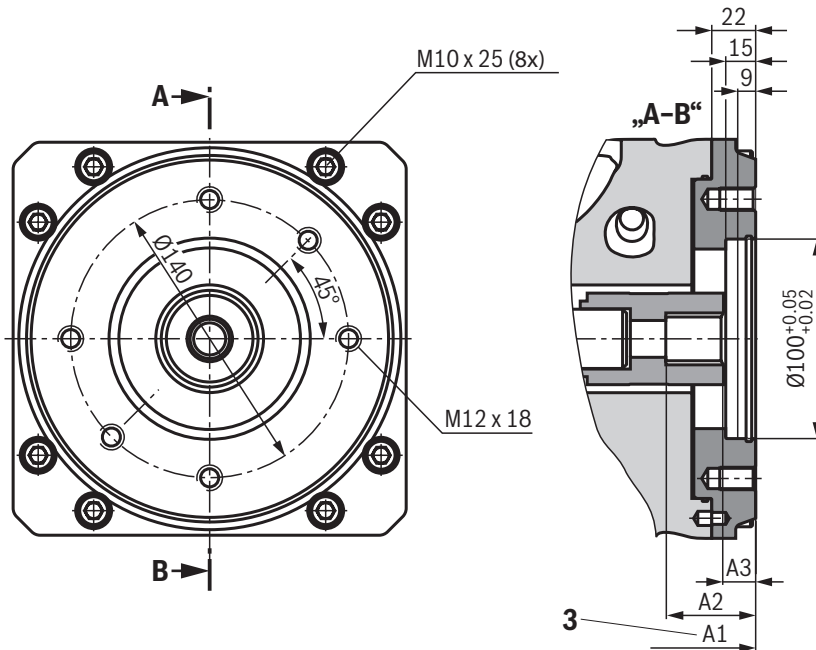
Notice:
Before determining the design, please request a binding installation drawing.

¹⁾ 30° pressure angle, flat root, side fit, tolerance class 5

Dimensions: Through-drives
(dimensions in mm)

► **"UB4" Flange** ISO 3019-2 - 100B2HW

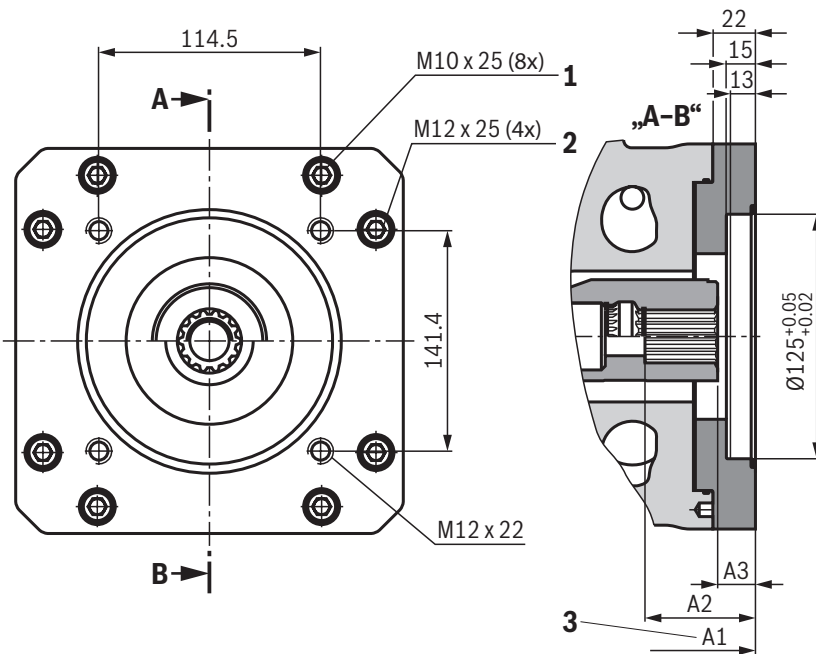
Hub Hub for splined shaft acc. to ANSI B92.1a-1996 – 1" 15T 16/32DP ¹⁾ (SAE J744 - 25-4 (B-B))



NG	A1	A2	A3
45	264	On request	
71	299	45.9	16.9
100	360	45.9	16.9
140	377	45.9	16.9
180	387	45.9	16.9

► **"UE1" Flange** ISO 3019-2 - 125, 4-hole

Hub for splined shaft acc. to ANSI B92.1a-1996 – 1" 15T 16/32DP ¹⁾ (SAE J744 - 25-4 (B-B))



NG	A1	A2	A3
45	264	On request	
71	299	45.9	16.9
100	360	45.9	16.9
140	377	45.9	16.9
180	387	45.9	16.9

- 1 NG100 ... 180
- 2 NG45, 71
- 3 Up to pump mounting face

Notice:

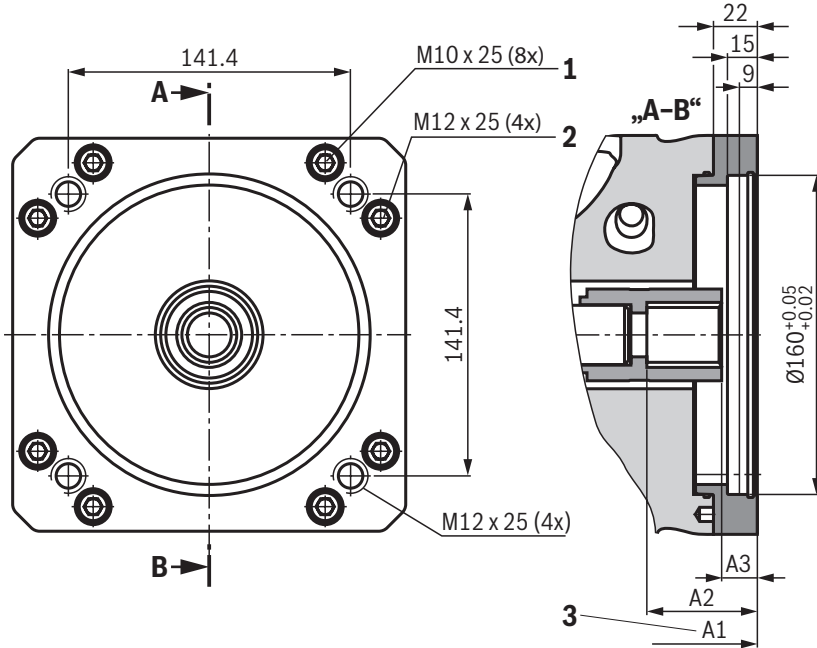
Before determining the design, please request a binding installation drawing.

¹⁾ 30° pressure angle, flat root, side fit, tolerance class 5

Dimensions: Through-drives
(dimensions in mm)

► **"UB8" Flange ISO 3019-2 - 160B4HW**

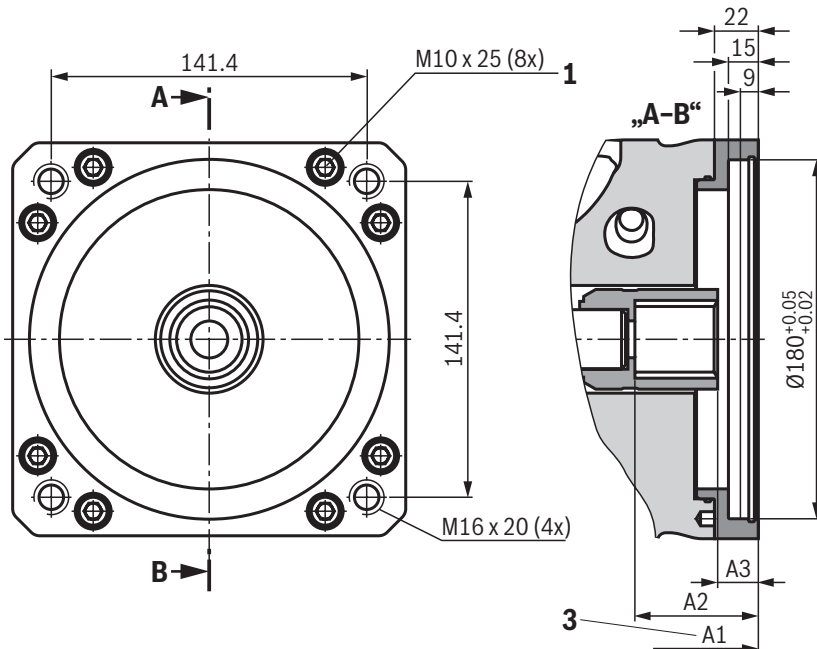
Hub for splined shaft acc. to ANSI B92.1a-1996 – 1 1/4" 14T 12/24DP ¹⁾ (SAE J744 - 32-4 (C))



NG	A1	A2	A3
71	299	55.4	17.9
100	360	55.4	17.9
140	377	55.4	17.9
180	387	55.4	17.9

► **"UB9" Flange ISO 3019-2 - 180B4HW**

Hub for splined shaft acc. to ANSI B92.1a-1996 – 1 1/2" 17T 12/24DP ¹⁾ (SAE J744 - 38-4 (C-C))



NG	A1	A2	A3
100	360	61.9	20.4
140	377	61.9	20.4
180	387	61.9	20.4

- 1 NG100 ... 180
- 2 NG71
- 3 Up to pump mounting face

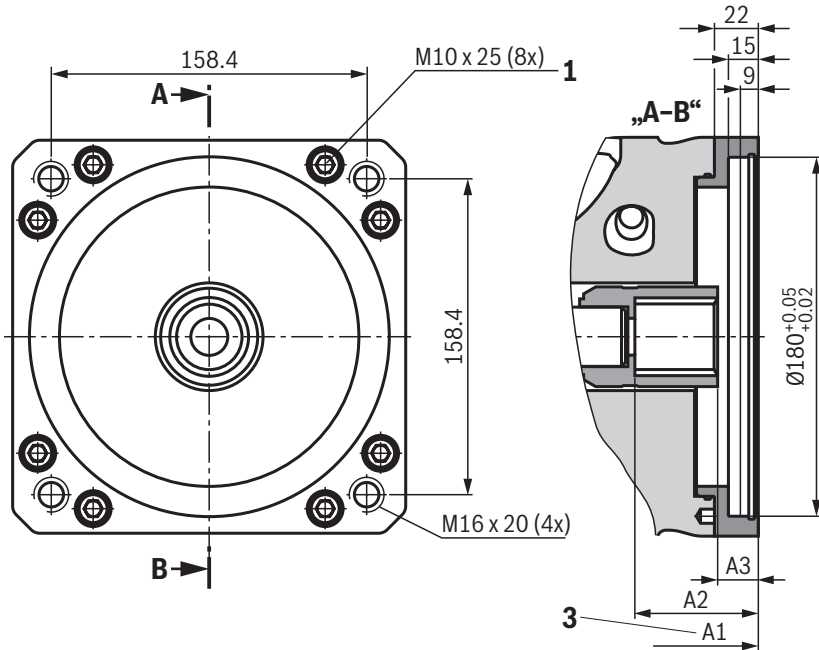
Notice:
Before determining the design, please request a binding installation drawing.

¹⁾ 30° pressure angle, flat root, side fit, tolerance class 5

Dimensions: Through-drives
(dimensions in mm)

► **"UB7"** Flange ISO 3019-2 - 180B4HW

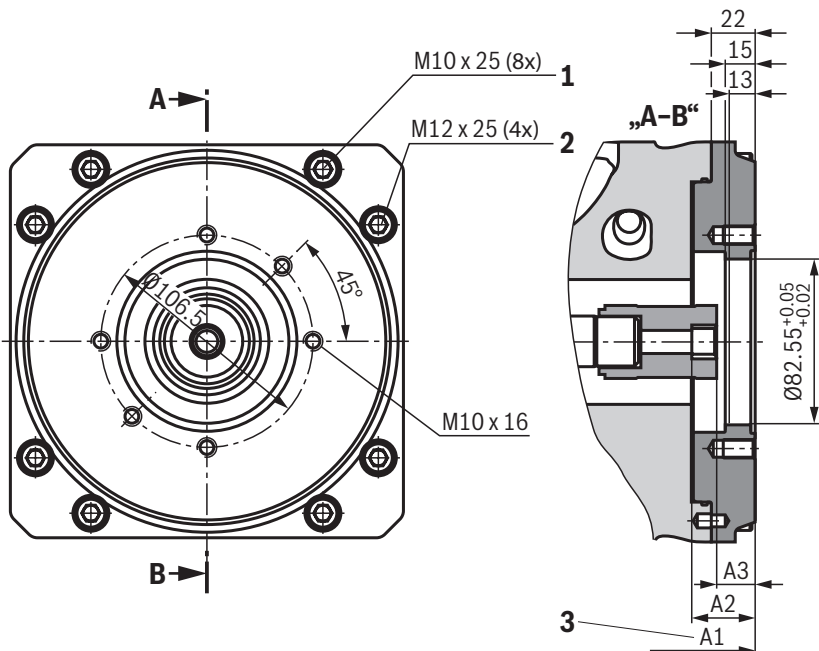
Hub for splined shaft acc. to ANSI B92.1a-1996 – 1 3/4" 13T 8/16DP ¹⁾ (SAE J744 - 44-4 (D))



NG	A1	A2	A3
140	377	75	Request
180	387	75	Request

► **"U01"** Flange ISO 3019-1-82-2

Hub for splined shaft acc. to ANSI B92.1a-1996 – 5/8" 9T 16/32DP ¹⁾ (SAE J744 - 16-4 (A))



NG	A1	A2	A3
45	264	On request	
71	299	31.8	19.3
100	360	31.8	Request
140	377	31.8	Request
180	387	31.8	Request

- 1 NG100 ... 180
- 2 NG45, 71
- 3 Up to pump mounting face

Notice:

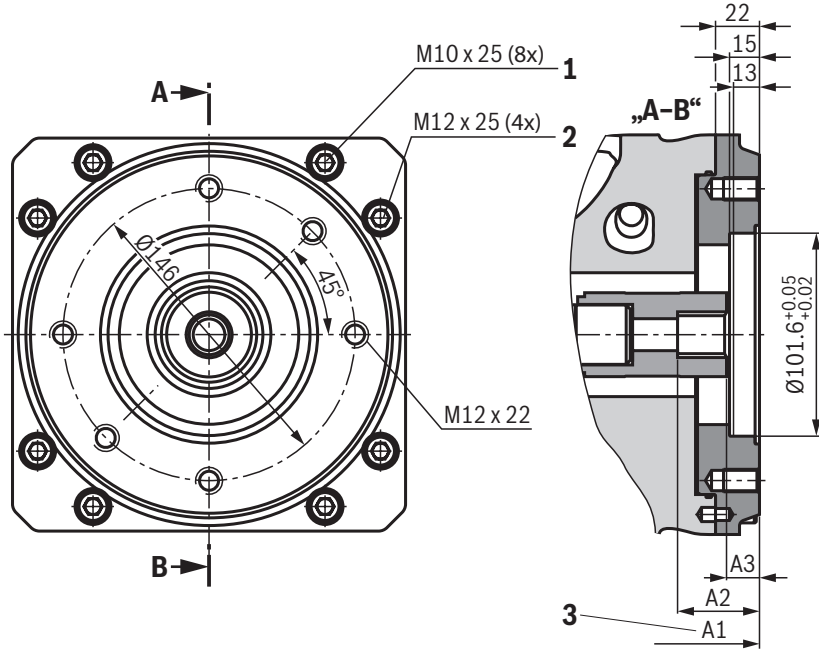
Before determining the design, please request a binding installation drawing.

¹⁾ 30° pressure angle, flat root, side fit, tolerance class 5

Dimensions: Through-drives
(dimensions in mm)

► **"U68" Flange ISO 3019-1-101-2**

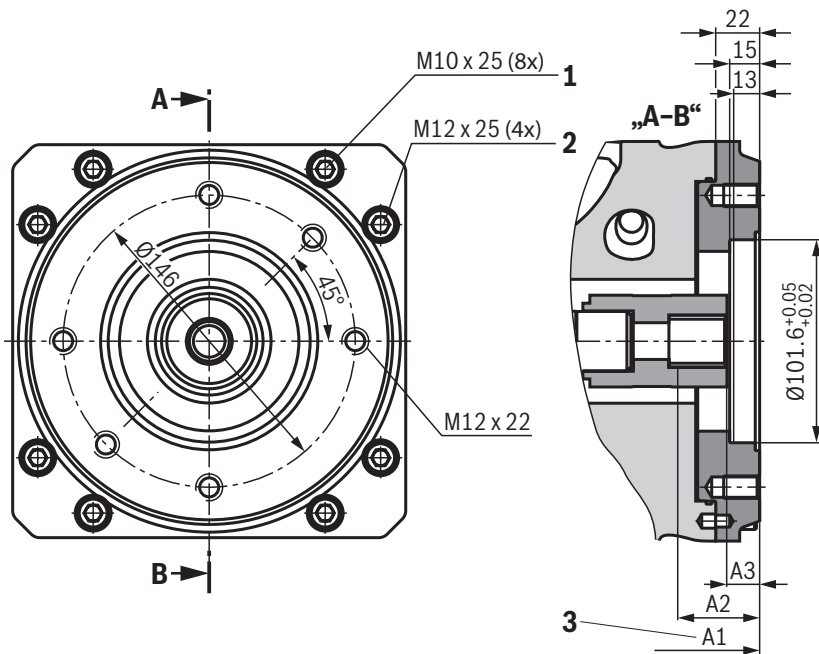
Hub for splined shaft acc. to ANSI B92.1a-1996 – 7/8" 13T 16/32DP ¹⁾ (SAE J744 - 22-4 (B))



NG	A1	A2	A3
45	264	41.5	18.2
71	299	41	16.5
100	360	41	16.5
140	377	41	16.5
180	387	41	16.5

► **"U04" Flange ISO 3019-1-101-2**

Hub for splined shaft acc. to ANSI B92.1a-1996 – 1" 15T 16/32DP ¹⁾ (SAE J744 - 25-4 (B-B))



NG	A1	A2	A3
45	264	On request	
71	299	45.9	16.9
100	360	45.9	16.9
140	377	45.9	16.9
180	387	45.9	16.9

- 1 NG100 ... 180
- 2 NG45, 71
- 3 Up to pump mounting face

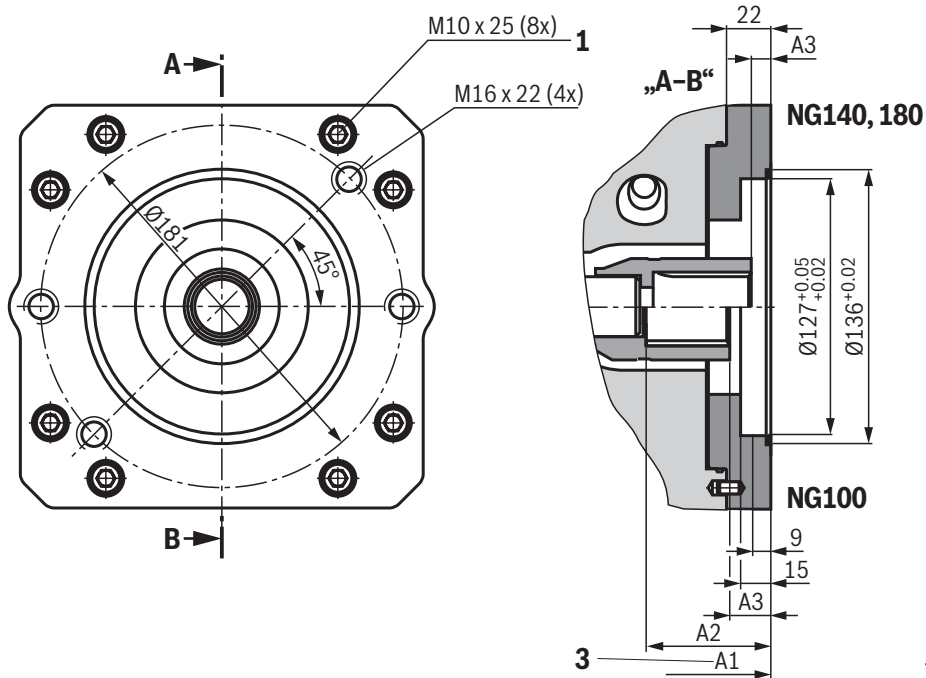
Notice:
Before determining the design, please request a binding installation drawing.

¹⁾ 30° pressure angle, flat root, side fit, tolerance class 5

Dimensions: Through-drives (dimensions in mm)

► "U24" Flange ISO 3019-1-127-2

Hub for splined shaft acc. to ANSI B92.1a-1976 – 1 1/2" 17T 12/24DP ¹⁾ (SAE J744 - 38-4 (C-C))



NG	A1	A2	A3
100	360	61.9	20.4
140	377	70.5	10.5
180	387	70.5	10.5

1 NG100 ... 180

3 Up to pump mounting face

Notice:

Before determining the design, please request a binding installation drawing.

¹⁾ 30° pressure angle, flat root, side fit, tolerance class 5

Torsionally flexible couplings for attachment to a standard electric motor

Motor		SYDFE.-3X			
Frame size/ characteristic	Shaft diameter in mm	NG45 Splined shaft "R", 1"	NG71 Splined shaft "S" or "R", 1 1/4"	NG100 Splined shaft "S", 1 1/2"	NG140, 180 Splined shaft "S", 1 3/4"
100/0, 112/0	28	R901038017			
132/0	38	R900772898			
160/0	42	R900994283	R900228413		
180/0	48	R900062159	R900240468	R900242567	
200/0	55	R901038025	R901038021	R901104689	R901038048
225/0	60	R901066409	R900228375	R901050508	R900988121
250/0	65	R900988348	R900986404	R901046864	R900708084
280/0	75		R900218487	R901055216	R901052451
315/0	80			R901046894 ¹⁾	R901041730 ¹⁾
315/1	80				R901046885

¹⁾ Up to 40 °C

Accessories for through-drives

With the introduction of A10VSO, series 32, a so-called universal through-drive for combining several pump stages is used. The required components can be seen from the following table and are to be ordered separately. The pumps with universal through-drive are closed at the factory with an end cover to ensure reliable operation.

The following conditions apply to the attachment pumps listed in the table:

- ▶ SYDFE and A10VSO with shaft "S" or "R"
- ▶ PGH with shaft "R", flange "U2", see data sheet 10223
- ▶ PGF3 with shaft "J", flange "U2", see data sheet 10213
- ▶ AZPF with shaft "R", front cover "R", see data sheet 10089

Flange and through-drive (see ordering code page 2) must be the same. Check in the current data sheet of the gear pump whether the shaft ends have the same specified dimensions.

Attachment kits for universal through-drive

Main pump SYDFE...3X/..U..					Attachment pump			
NG45 "U00"	NG71 "U99"	NG100 "U99"	NG140 "U99"	NG180 "U99"	Size and type		Through-drive Centering Hub	Flange designation
R902496472	R902447036	R902447038	R902447039	R902447039	NG18	SYDFE...2X/ A10 VSO / BR31	"U52" 82.55 mm 3/4"	ISO 3019-1-82-2
R902492531	R902446997	R902446999	R902447000	R902447000	NG28		"UB3" 100 mm 7/8"	ISO 3019-2 100B2HW
	R902447002	R902447004	R902447005	R902447005	NG45		"UB4" 100 mm 1"	ISO 3019-2 100B2HW
R902510125	R902492823	R902488254	R902491915	R902491915	NG45	SYDFE...3X/..U.. A10 VSO / BR32	"UE1" 125 mm 1"	ISO 3019-2 125B4HW
	R902447015	R902447017	R902447018	R902447018	NG71		"UB8" 160 mm 1 1/4"	ISO 3019-2 160B4HW
		R902447023	R902447024	R902570425	NG100		"UB9" 180 mm 1 1/2"	ISO 3019-2 180B4HW
			R902447027	R902570426	NG140		"UB7" 180 mm 1 3/4"	ISO 3019-2 180B4HW
				R902570426	NG180			
R902496467	R902447031	R902447033	R902447034	R902473591	PGF2, PGH2, PGH3, AZPF		"U01" 82.55 mm 5/8"	ISO 3019-1-82-2
R902496477	R902447041	R902447043	R902447044	R902447044	PGF3		"U68" 101.6 mm 7/8"	ISO 3019-1-101-2
R902496482	R902447046	R902447048	R902447049	R902447049	PGH4		"U04" 101.6 mm 1"	ISO 3019-1-101-2
		R902479709	R902463283	R902570424	PGH5		"U24" 127 mm 1 1/2"	ISO 3019-1-127-2

Notice:

Combinations are only possible with shaft ends according to SAE J744 .

Accessories (separate order)

SYDFE1	Material number	Data sheet
External control electronics VT 5041-3X/1 without power limitation, without swivel angle display	R901236404	30242
External control electronics VT 5041-3X/2 without power limitation, with swivel angle display	R901263598	30242
External control electronics VT 5041-3X/3 with power limitation, with swivel angle display	R901196678	30242
Mating connector for solenoid plug	R901017011	08006
Mating connector for position transducer of valve	R900023126	08006
Mating connector for position transducer of pump	R900013674	-
Pressure transducer HM 20-2X, measurement range 315 bar (4 ... 20 mA)	R901342029	30272
Pressure transducer HM 20-2X, measurement range 315 bar (0.1 ... 10 V)	R901342030	30272
Card holder VT 3002-1-2X/32D	R900020153	29928
Compact power supply unit VT-NE32-1X	R900080049	29929
SYDFEE	Material number	Data sheet
Mating connector 12-pole for central connection X1 without cable (assembly kit)	R900884671	08006
Mating connector 12-pole for central connection X1 with cable set 2 x 5 m	R900032356	-
Mating connector 12-pole for central connection X1 with cable set 2 x 20 m	R900860399	-
Pressure transducer HM 20-2X, measurement range 315 bar (4 ... 20 mA)	R901342029	30272
Pressure transducer HM 20-2X, measurement range 315 bar (0.1 ... 10 V)	R901342030	30272
Pressure transducer HM 20-2X, measurement range 315 bar (0.5 ... 5 V) with 0.5 m cable	R901342038	30272
Test device VT-PDFE-1-1X/V0/0	R900757051	29689-B
Compact power supply unit VT-NE32-1X	R900080049	29929
SYDFED	Material number	Data sheet
Mating connector 12-pole for central connection XH4 without cable (assembly kit)	R900884671	08006
Mating connector 12-pole for central connection XH4 with cable set 2 x 5 m	R900032356	-
Mating connector 12-pole for central connection XH4 with cable set 2 x 20 m	R900860399	-
Pressure transducer HM 20-2X, measurement range 315 bar (4 ... 20 mA)	R901342029	30272
Pressure transducer HM 20-2X, measurement range 315 bar (0.1 ... 10 V)	R901342030	30272
Pressure transducer HM 20-2X, measurement range 315 bar (0.5 ... 5 V) with 0.5 m cable	R901342038	30272
Test device VT-PDFE-1-1X/V0/0	R900757051	29689-B
Compact power supply unit VT-NE32-1X	R900080049	29929
Ethernet connection cable M12 to RJ45 (connection X7E1 & X7E2), additional information type designation RKB0044/xxx.x (xxx.x: length in meters)	R911172135	
Commissioning software IndraWorks DS from version 14V14	-	-
SYDFEF	Material number	Data sheet
Mating connector 6-pole for central connection XH1 without cable (assembly kit)	R900021267	08006
Mating connector 6-pole for central connection XH1 with cable set 3 m	R901420483	08006
Mating connector 6-pole for central connection XH1 with cable set 5 m	R901420491	08006
Mating connector 6-pole for central connection XH1 with cable set 10 m	R901420496	08006
Pressure transducer HM 20-2X, measurement range 315 bar (4 ... 20 mA)	R901342029	30272
Pressure transducer HM 20-2X, measurement range 315 bar (0.1 ... 10 V)	R901342030	30272
Pressure transducer HM 20-2X, measurement range 315 bar (0.5 ... 5 V) with 0.5 m cable	R901342038	30272
Ethernet connection cable M12 to RJ45 (connection X7E1 & X7E2), additional information type designation RKB0044/003,0	R911343806	-
Commissioning software IndraWorks DS from version 14V14	-	-

Project planning information

- ▶ Always shield command and actual value cables.
- ▶ The distance to aerial lines or radios must be at least 1 m.
- ▶ Do not lay signal lines close to power lines.
- ▶ For amending notes on the SYDFE control system, see the operating instructions (see "Further information").

Further information

- ▶ Operating instructions for SY(H)DFE1
 - ▶ Operating instructions for SY(H)DFEE
 - ▶ Operating instructions for SY(H)DFEC
 - ▶ Operating instructions for SY(H)DFED
 - ▶ Operating instructions for SY(H)DFEF
 - ▶ Operating instructions for SY(H)DFEn
 - ▶ Data sheet for axial piston variable displacement pump A10VSO../32
 - ▶ Data sheet for external control electronics VT 5041-3X for SYDFE1
 - ▶ Data sheet for pilot control valve VT-DFP.-2X
 - ▶ Data sheet for pump preload valve SYDZ 0001-1X
 - ▶ Data sheet for swivel angle sensor VT-SWA-1-1X
 - ▶ Data sheet for pressure transducer HM 20-2X
 - ▶ Operating instructions for test device VT-PDFE
 - ▶ Internet
 - ▶ Information on available spare parts
- Operating instructions 30011-B
 - Operating instructions 30012-B
 - Operating instructions 30027-B
 - Operating instructions 30017-B
 - Operating instructions 30013-B
 - Operating instructions 30014-B
 - Data sheet 92714
 - Data sheet 30242
 - Data sheet 29016
 - Data sheet 29255
 - Data sheet 30268
 - Data sheet 30272
 - Operating instructions 29689-B
 - www.boschrexroth.com/sydfc
 - www.boschrexroth.com/spc

Bosch Rexroth AG
Industrial Hydraulics
Zum Eisengießer 1
97816 Lohr am Main, Germany
Phone +49 (0) 93 52/40 30 20
my.support@boschrexroth.de
www.boschrexroth.de

© All rights reserved to Bosch Rexroth AG, also regarding any disposal, exploitation, reproduction, editing, distribution, as well as in the event of applications for industrial property rights.
The data specified above only serve to describe the product. No statements concerning a certain condition or suitability for a certain application can be derived from our information. The information given does not release the user from the obligation of own judgment and verification.
It must be remembered that our products are subject to a natural process of wear and aging.