

Electric amplifiers

RE 30057/07.12

1/6

Type VT-VPRAS1-527-1X/V0

Component series 1X



Table of contents

Contents	
Features	
Ordering code, accessories	
Front plate	
Block diagram with pin assignment	
Technical data	
Device dimensions	
Project planning / maintenance instructions / additional information	

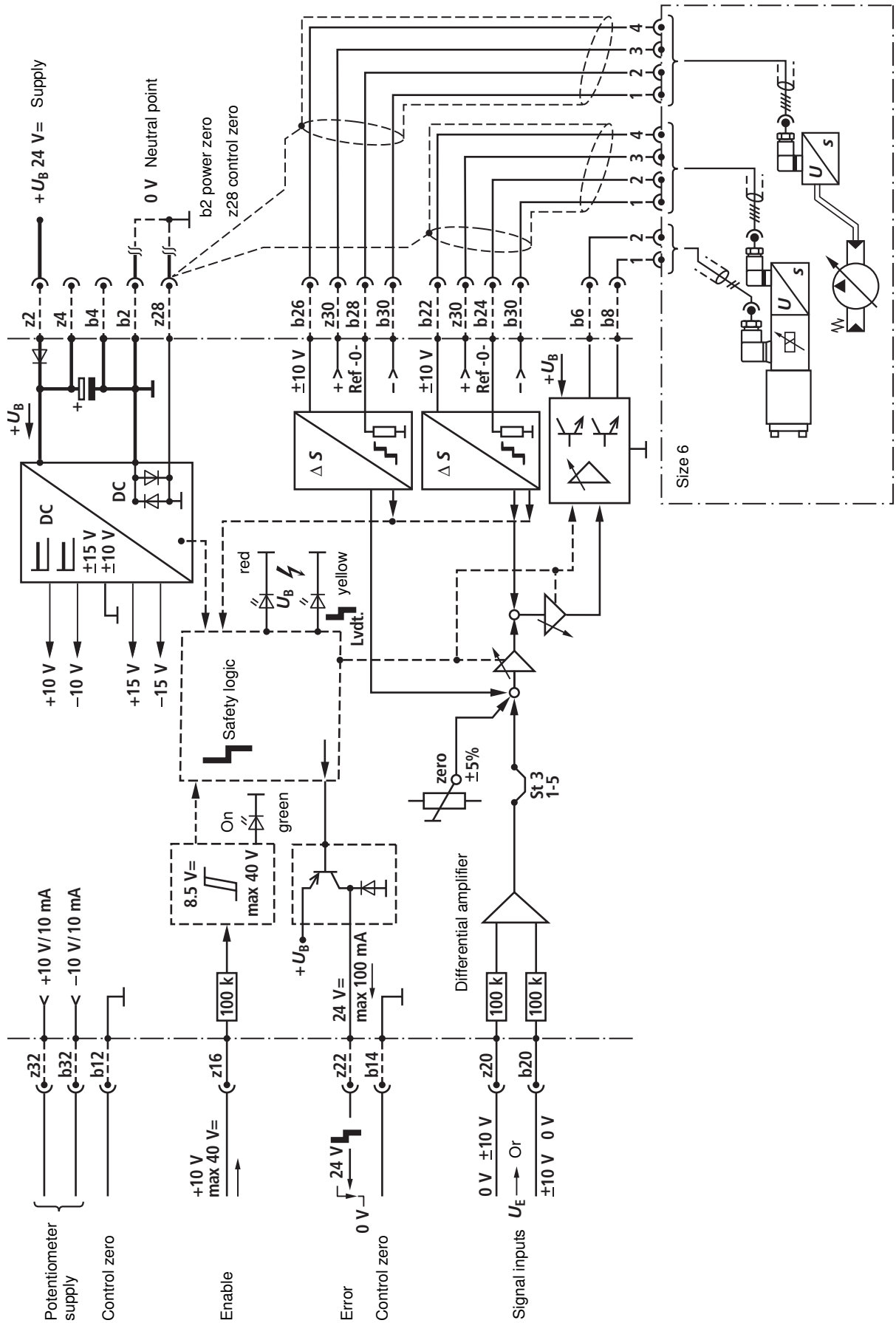
Features

Page	
1	– Direct operated directional control valves for controlling radial piston pumps
2	– Analog amplifiers in Europe format
2	– Controlled output stage
3	– Enable input
4	– Outputs short-circuit-proof
5	– Adjustment possibilities – Zero point valve
	– Cable break detection for actual value cable
5	– Position control with PID behavior

Notice:

The photo is an example configuration.
The delivered product differs from the figure.

Block diagram with pin assignment



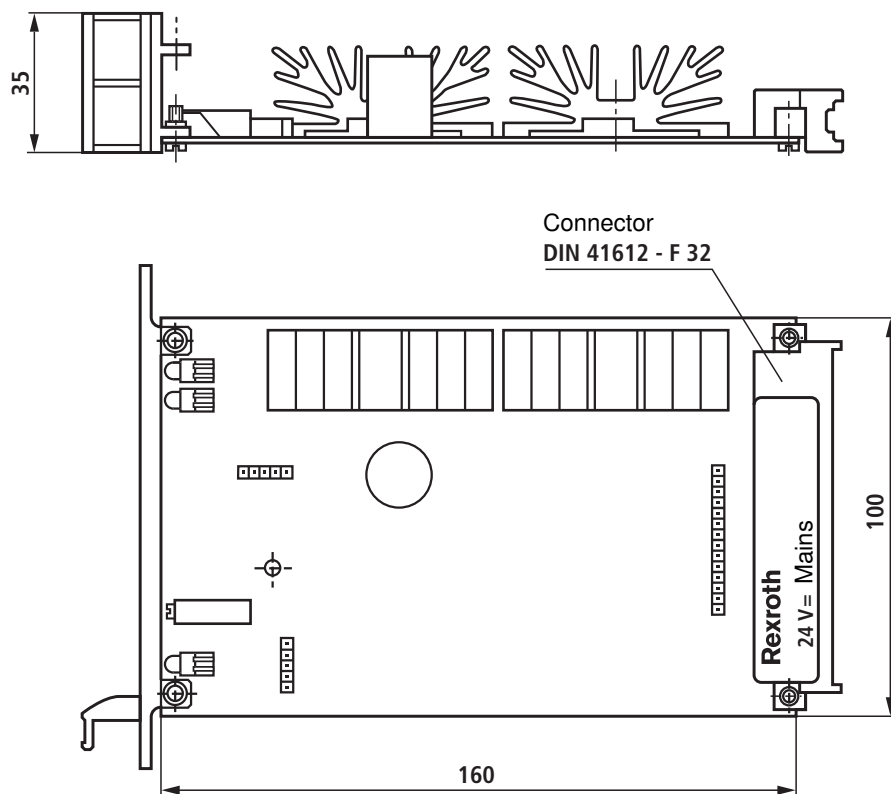
Technical data (For applications outside these parameters, please consult us!)

Supply voltage U_B at z2 – b2		Nominal 24 V =, Battery voltage 21...40 V, Rectified alternating voltage $U_{\text{eff}} = 21...28$ V (one-phase, full-wave rectifier)
Smoothing capacitor, separately at z2 – b2		Recommendation: Capacitor module VT 11110 (see data sheet 30750) (only necessary if the ripple of $U_B > 10\%$)
Valve solenoid, max.	A/VA	2.7/25 (pilot control valve size 6)
Current consumption, max.	A	1.5 The current consumption may increase with min. U_B and extreme cable length to the control solenoid
Power consumption (typical)	W	37
Input signal (command value)		b20: 0...±10 V } Differential amplifier z20: 0...±10 V } ($R_i = 100$ k Ω)
Signal source		Potentiometer 10 k Ω , Supply ±10 V from b32, z32 (10 mA) or external signal source
Enable output stage		At z16, $U = 8.5...40$ V, $R_i = 100$ k Ω , LED (green) on front plate lights up
Position transducer Supply		b30: -15 V z30: +15 V
Pilot control valve	Actual value signal	b22: 0...±10 V
	Actual value reference	b24
Main stage	Actual value signal	b26: 0...±10 V
	Actual value reference	b28
Solenoid output b6 – b8		Clocked current controller
	I_{max}	2.7 A
Cable lengths between amplifier and valve		Solenoid cable: up to 20 m 1.5 mm ² 20 to 60 m 2.5 mm ² Position transducer: 4 x 0.5 mm ² (shielded)
Special features		Cable break fuse for actual value cable, Position control with PID behavior, Clocked output stage, Fast energization and fast deletion for short actuating times, Short-circuit-proof outputs
Adjustment		Zero point via trimming potentiometer ±5 %
LED displays		green: Enable yellow: Cable break actual value red: Undervoltage (U_B too low)
Error message – Cable break actual value – U_B too low – ±15 V stabilization		z22: Open collector output to + U_B Max. 100 mA; no error: + U_B
Format of the printed circuit board	mm	(100 x 160 x ca. 35) / (W x L x H) Europe format with front plate 7 TE
Plug-in connection		Connector DIN 41612 – F 32
Ambient temperature	°C	0...+70
Storage temperature range	°C	-20...+70
Weight	m	0.36 kg

Notice:

Power zero b2 and control zero b12 or b14 or z28 must be separately led to the central ground (neutral point).

Device dimensions (dimensions in mm)



Project planning / maintenance instructions / additional information

- The amplifier card may only be unplugged and plugged when de-energized.
- The distance to aerial lines, radios and radar systems must be sufficient (> 1 m).
- Do not lay solenoid and signal lines near power cables.
- For signal lines and solenoid conductors, we recommend using shielded cables.
The cable shield must be connected to the control cabinet extensively and as short as possible.
- The valve solenoid must not be connected to free-wheeling diodes or other protection circuits.
- The cable lengths and cross-sections specified on page 4 must be complied with.

Notes

Notes

Bosch Rexroth AG
Hydraulics
Zum Eisengießer 1
97816 Lohr am Main, Germany
Phone +49 (0) 93 52 / 18-0
documentation@boschrexroth.de
www.boschrexroth.de

© This document, as well as the data, specifications and other information set forth in it, are the exclusive property of Bosch Rexroth AG. It may not be reproduced or given to third parties without its consent. The data specified above only serve to describe the product. No statements concerning a certain condition or suitability for a certain application can be derived from our information. The information given does not release the user from the obligation of own judgment and verification. It must be remembered that our products are subject to a natural process of wear and aging.

Notes
