

NEW

PWLS

Variable Displacement Piston Pumps



1800-OILSOL
1800-645765

<https://oilsolutions.com.au/>

sales@oilsolutions.com.au

PWLS

Variable Displacement Piston Pumps



Walvoil presents PWLS, the new range of Variable Displacement Piston Pumps.

PWLS series offers all the features needed for a new generation of mobile hydraulic pumps.

Its compact design allows the installation in narrow spaces, its reactivity and stability grant the maximum comfort for the operator.

The design and production cycle allows heavy duty operation in the medium pressure range, with a nominal service pressure up to 280 bar (4050 psi).

Additional features, like sensors cavities, compact tandems and various control manifolds complete the offer of this new generation of Walvoil piston pumps.

- Heavy duty operation
- Compact tandem design
- Different displacement control solutions
- Sensor installation
- ALS Adaptive control

GENERAL WORKING CONDITIONS

Suction pressure		from 0,8 to 2 bar from 11.6 to 29 psi
Fluid		hydraulic mineral oil-based
Fluid temperature	With NBR (buna N) seals	from -20 to +80 °C from -4 to +176 °F
Viscosity	Recommended	from 15 to 92 mm ² /s (cSt)
	Permitted for starting	2000 mm ² /s (cSt)
Max level of contamination	Recommended for operating pressure > 150 bar (2150 psi)	20/18/15 ISO 4406 class 9 (NAS 1638)
	Recommended for operating pressure < 150 bar (2150 psi)	21/19/16 ISO 4406 class 10 (NAS 1638)

Technical data

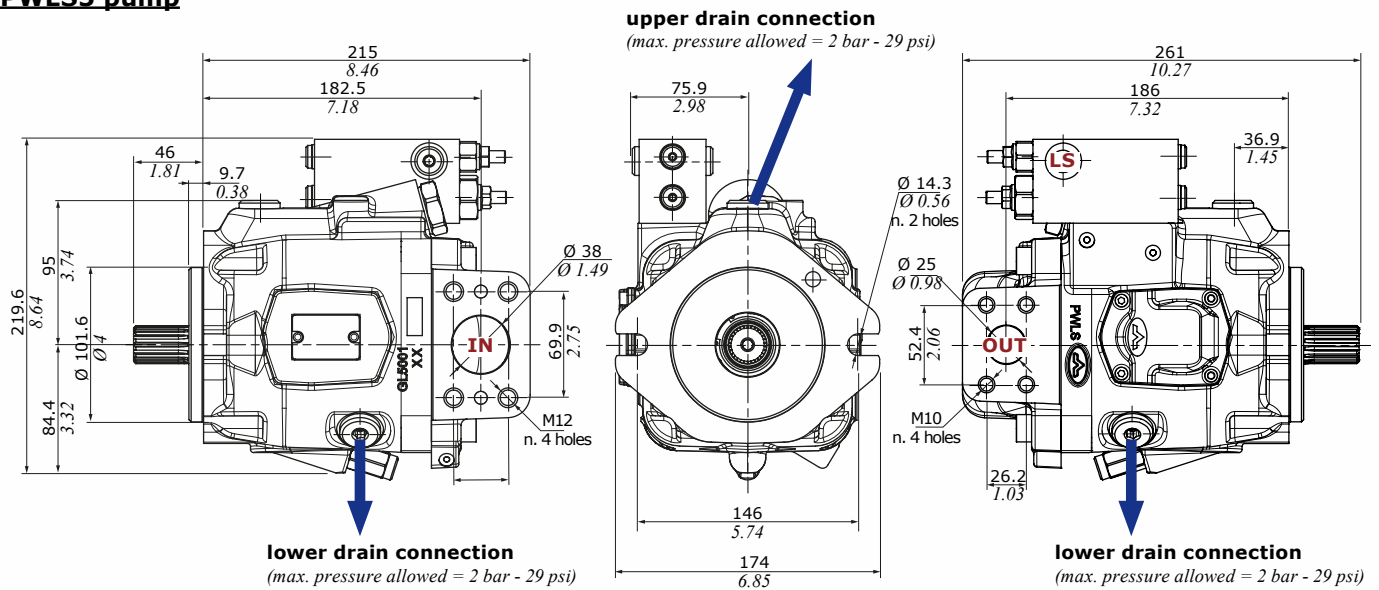
PWLS series	Max. displacement			Max working pressure		Max peak pressure		Max rotation speed	Weight	
		cm ³ /rev	in ³ /rev	bar	psi	bar	psi	rpm	kg	lb
PWLS5	min.	41	2.50	280	4.050	320	4.650	500-3000		
	std.	53	3.23	280	4.050	320	4.650	500-2600	22.5	49.6
	max.	56	3.41	280	4.050	320	4.650	500-2400		
PWLS7	min.	56	3.41	280	4.050	320	4.650	500-2900		
	std.	72	4.39	280	4.050	320	4.650	500-2600	25.9	57.1
	max.	80	4.88	250	3.600	300	4350	500-2200		

NEW

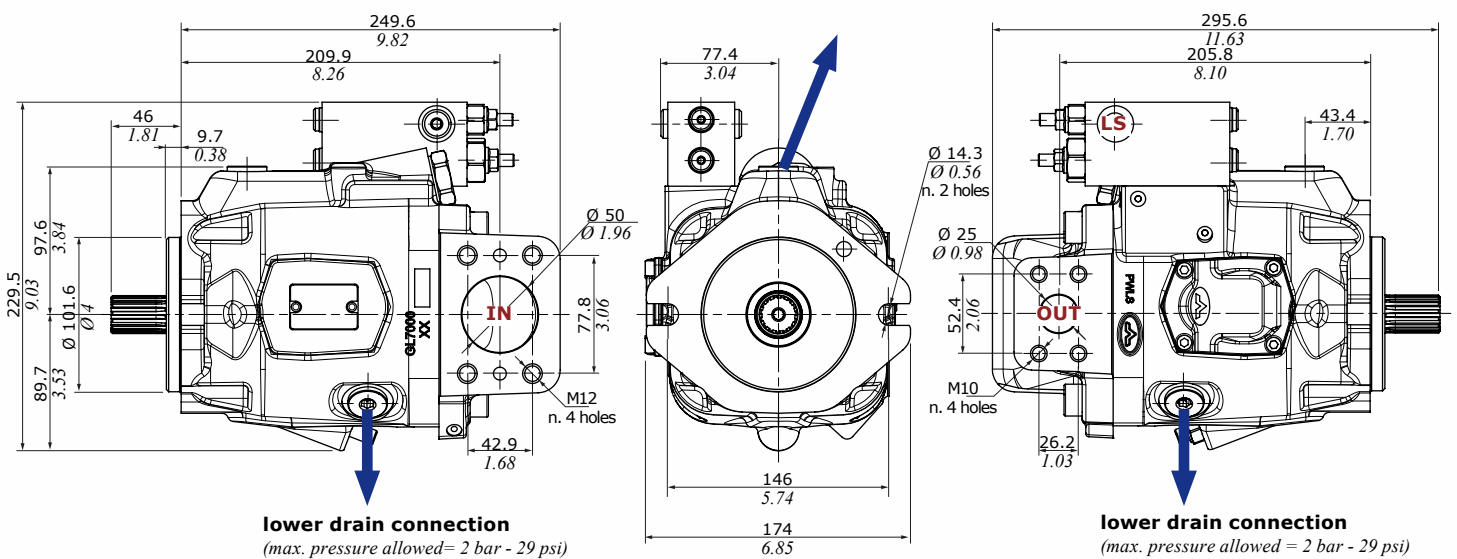
Dimensions

The dimensional drawings represent the version with **SAEB** flange (for other flanges, please contact our Sales Department).

PWLS5 pump



PWLS7 pump



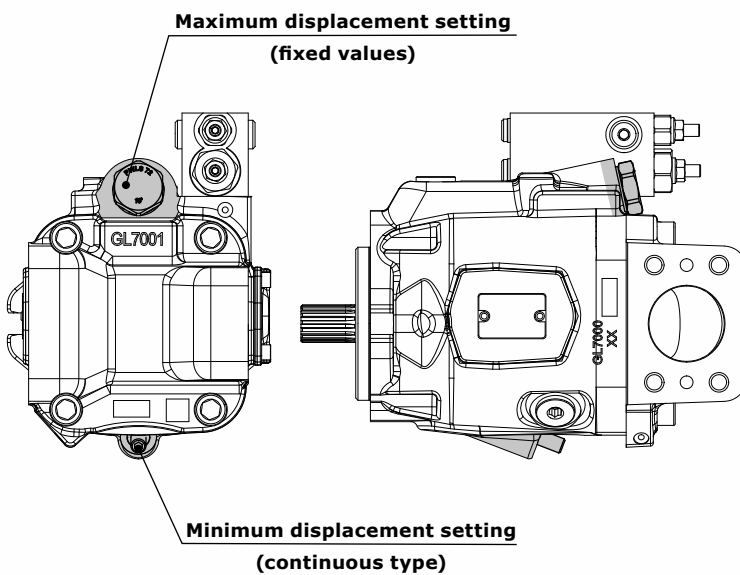
Note: PWLS pumps have to be connected to a separate drain.

PWLS

Variable Displacement Piston Pumps

Displacement set-up

PWLS7 example



	Maximum displacement setting		Minimum displacement setting		
	cm ³ /rev	in ³ /rev	cm ³ /rev	in ³ /rev	
PWLS5	min.	41	2.50	from 0 to 10	from 0 to 0.61
		44	2.68		
		47	2.86		
		50	3.05		
		56	3.41		
PWLS7	min.	56	3.41	from 0 to 10	from 0 to 0.61
		60	3.66		
		64	3.90		
	std.	72	4.39		
	max.	80	4.88		

Cover options

Single pump PWLS	Single pump Dealer type PWLS	Two stages pump PWLS + 2XP	Two stages pump PWLS + 2XPW

NEW

Displacement control options

PWLS product range is now available with three different type of displacement control.

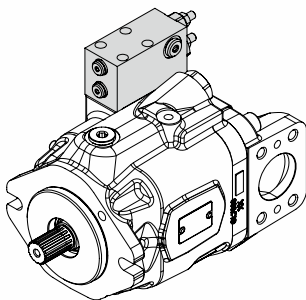
LS control is the traditional load sensing control, aimed to keep a constant pressure margin through the main control valve. In this kit a max pressure limiter is also included, able to minimize the displacement in case of setting pressure reached by the actuator.

LS-TL control complete the offer of LS control. The additional torque limiter reduces automatically the displacement of the pump in case high torque is required by the circuit. This function is used to prevent stall of the thermal engine.

ALS control gives the ECU the possibility to adjust the operating displacement in order to follow a determined displacement or a virtual pressure margin. This feature allows to reduce energy consumption in idle speed and to be more precise in the actuation when needed by the operator.

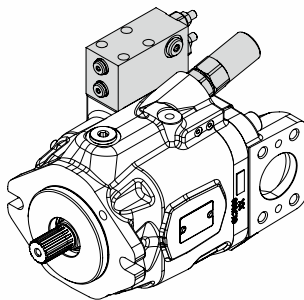
LS

Load Sensing system



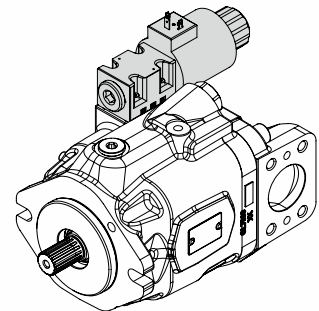
LS-TL

Mechanical torque control



ALS

Adaptive Load Sensing system



PWLS

Variable Displacement Piston Pumps

Swashplate window

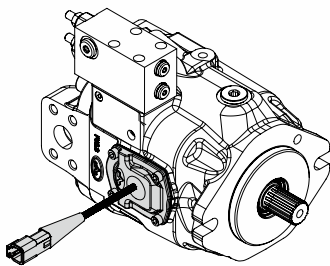
All PWLS pumps have the predisposition for sensor installations.

Three type of sensors can be individually or simultaneously connected to the side of the pump.

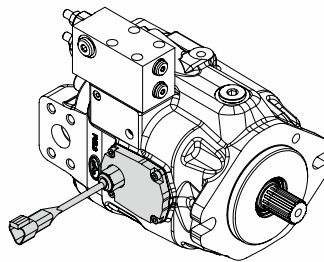
The swashplate angle is measured to evaluate the pump operating displacement. In the same cavity also the speed of the pump can be measured, providing to the ECU all the information about the delivered flow rate. A third pressure sensor allows to measure the pressure of the delivered flow.

All together these three indicators permit to evaluate the torque and the power request from the implement during operations.

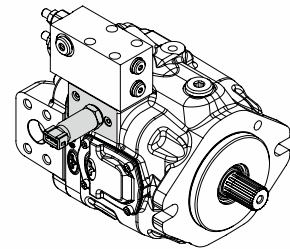
Angle sensor



Speed sensor



Working pressure sensor



Ports and connections

	Type	Suction port (Inlet)	Delivery port (Outlet)	Drain ports (x3)
PWLS5	F114F1G12	1"1/2 (ISO 6162-1) 4 x M12x1.75 (depth 20) Ø 38	1" (ISO 6162-1) 4 x M10x1.5 (depth 18) Ø 25	BSP 1/2" 3/4-16 UNF (SAE8)
PWLS7	F2F1U10	2" (ISO 6162-1) 4 x M12x1.75 (depth 20) Ø 50	1" (ISO 6162-1) 4 x M10x1.5 (depth 18) Ø 25	BSP 3/4" 7/8-14 UNF (SAE10)

For other connections, please contact our Sales Department

 **walvoil**
FLUID POWER E| MOTION



D1WWCM04E - 1st edition October 2022

Walvoil S.P.A. • 42124 Reggio Emilia • Italy • Via Adige, 13/D • Tel. +39.0522.932411 • Fax +39.0522.300984
www.walvoil.com

