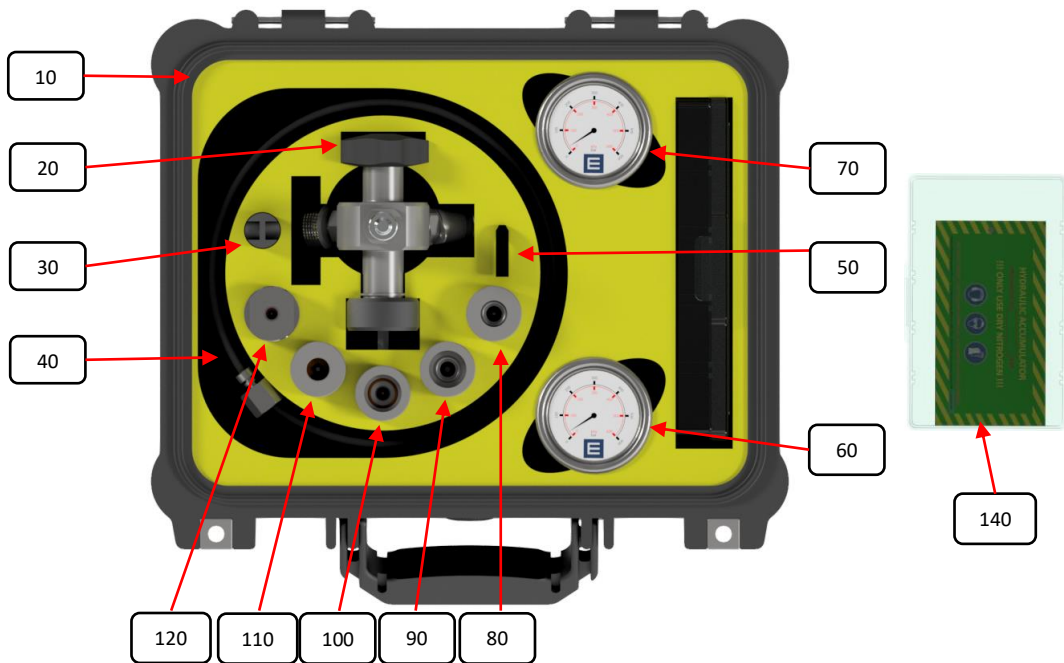


MINI

Accumulator Charge kit



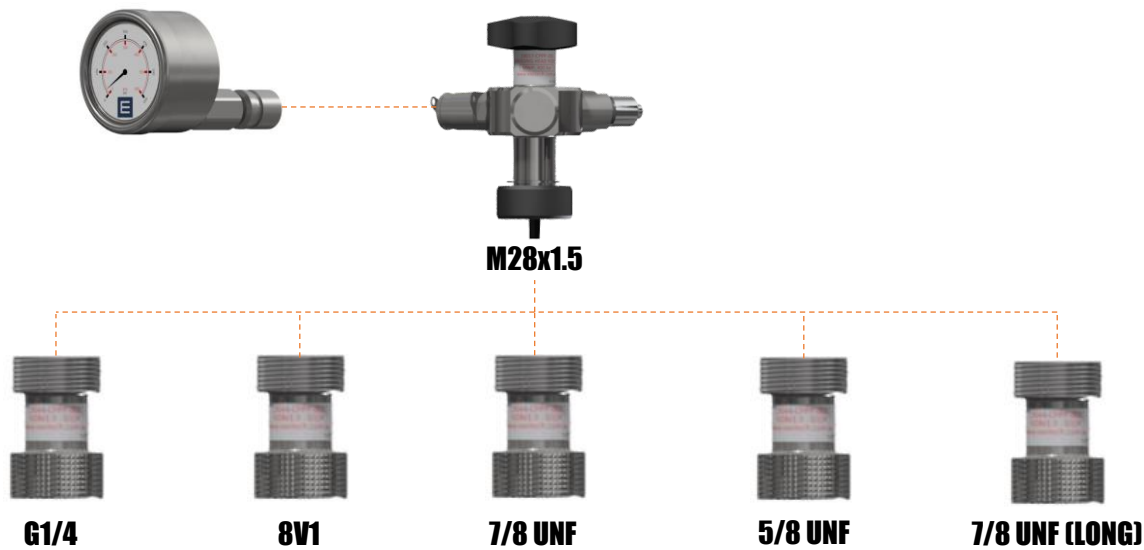
| ITEM | QTY | DESCRIPTION |
|------|-----|-------------------------------------|
| 10 | 1 | CASE |
| 20 | 1 | CHARGE HEAD M28x1.5 |
| 30 | 1 | DIGITAL THERMOMETER |
| 40 | 1 | CHARGING HOSE |
| 50 | 1 | ALLEN KEY 6mm |
| 60 | 1 | PRESSURE GAUGE 0-250 BAR |
| 70 | 1 | PRESSURE GAUGE 0-25 BAR |
| 80 | 1 | M28 - 5/8" UNF CHARGE ADAPTOR |
| 90 | 1 | M28 - 7/8" UNF CHARGE ADAPTOR LONG |
| 100 | 1 | M28 - 7/8" UNF CHARGE ADAPTOR |
| 110 | 1 | M28 - G1/4" CHARGE ADAPTOR |
| 120 | 1 | M28 - 8V1 (SCHRADER) CHARGE ADAPTOR |
| 130 | 3 | TAG - PRECHARGE |



Technical Data / Specifications

| ITEM CODE | 19200-PPPP-000 |
|---------------------|--|
| CHARGE CONNECTIONS | M28x1.5, 7/8UNF, 7/8UNF (long), 5/8UNF, G1/4, 8V1 (Schrader) |
| PRESSURE GAUGE | STYLE: Analogue SAFETY PATTERN, RANGE: 0-250 Bar, 0-25 Bar |
| CASE | IP67 Polyurethane Hard Case |
| HOSE | LENGTH: 2.5m, MWP: 630 Bar, Whip Check |
| KIT DESIGN PRESSURE | 400 BAR |
| WEIGHT & DIMENSIONS | 345 x 295 x 150, 5Kg |

Configuration



Recommended charging setup
N2 Regulator not included in MINI Kit
See MAXI kit if required.