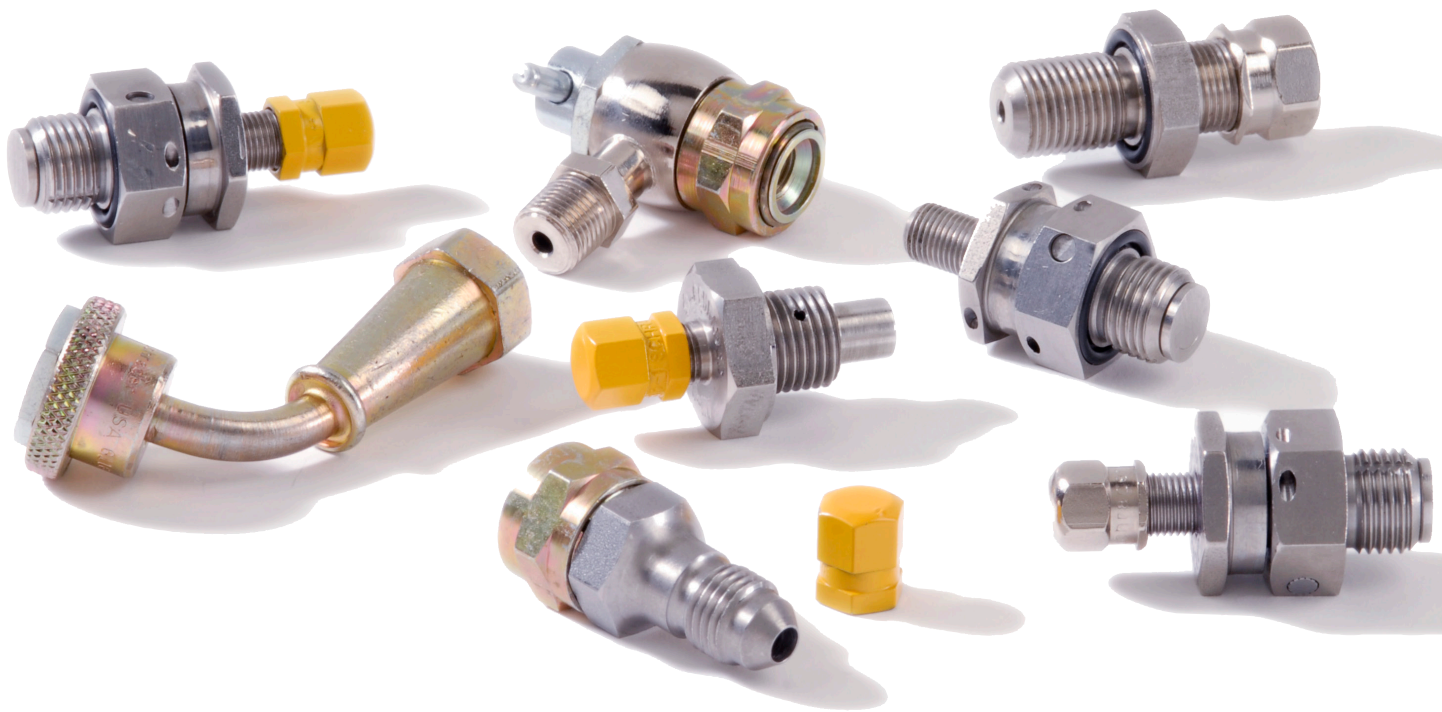
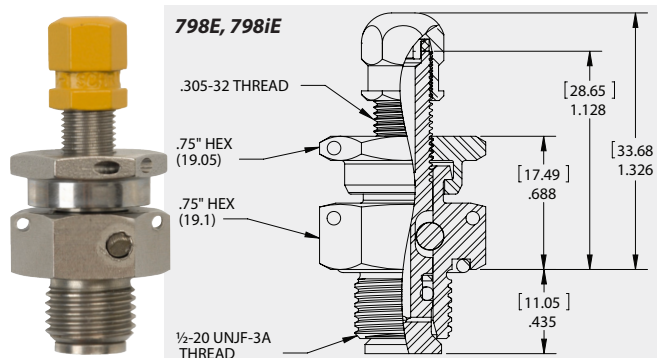
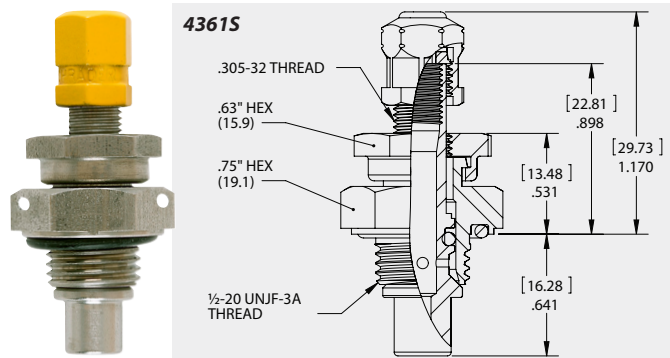
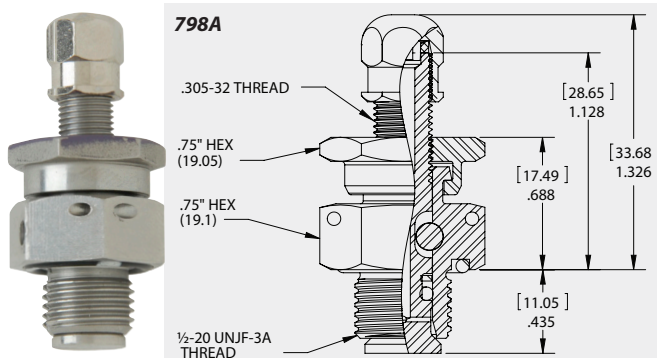
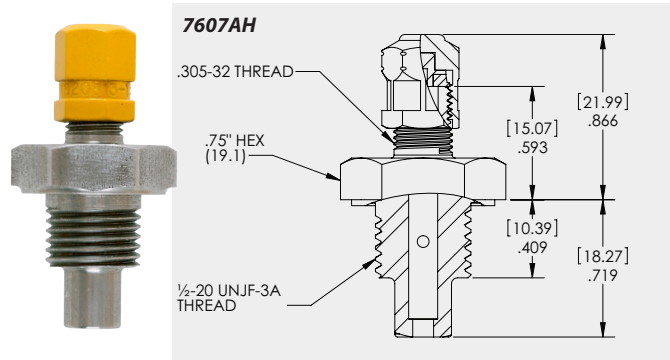
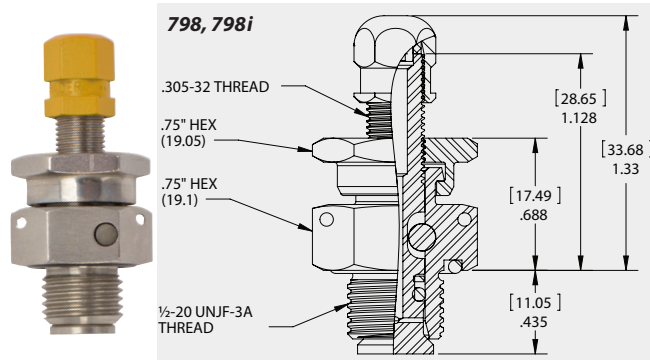


HIGH-PRESSURE VALVES AND CONNECTORS

For use in High-Pressure Applications





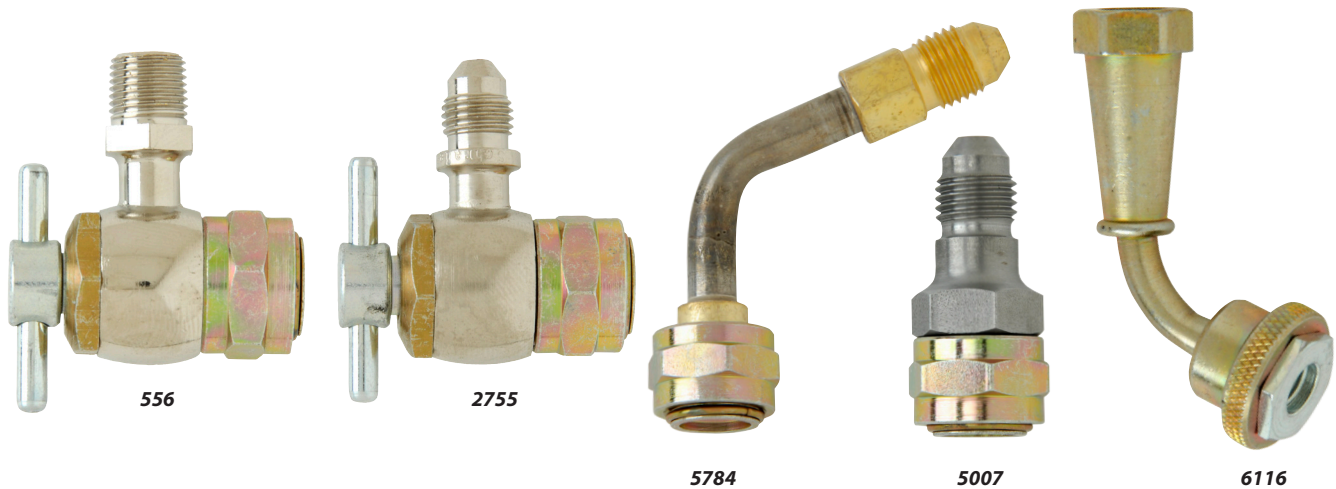
Schrader Pacific high-pressure valves are constructed of stainless steel bodies and are intended for use in high-pressure air-charged units such as shock absorber struts, hydraulic pressure accumulators, surge cylinders, and pneumatic systems. These valves have a special feature which warns of un-released air pressure when the valve is being separated from the outlet. Contact Schrader Pacific for further information on military and commercial adaptations. Valves have ½"-20 UNJF-3A threads for connection to container.

Part Number	Generic Number	AN/MS Number	Cap	Core	Maximum Working Pressure (PSIG)	Remarks
007987105	798	M-6164-2	132790	-	5,000	o-ring 007980114
007987109	798A	M-6164-5	761200	-	5,000	Meets Boeing spec. BAC-V10T, Nickel plated cap. Compatible with Skydrol #500-A Hydraulic fluid per M-6164-5
007987311	798E	M-6164-2	132790	-	5,000	Lockwire holes in swivel nut
0798001000	798i		132790	-	5,000	Not certified for aircraft use - Industrial use only
0798002000	798iE		132790	-	5,000	Lockwire holes in swivel nut. Not certified for aircraft use - Industrial use only
043617010	4361S	AN-6287	132790	9914	4,000	
076070949	7607AH	AN-812-1	132790	9914	4,000	

- Installation Torque: 120 ± 5 in/lbs (Lubricate o-ring with hydraulic oil) - Does not apply to 7607AH
- Closing Torque: 55 ± 5 in/lbs - Does not apply to 7607AH
- Cap Installation Torque: 5 - 15 in/lbs

HIGH-PRESSURE VALVES AND CONNECTORS

These high-pressure inflating connections attach securely by hand or wrench to the valve cap threads of high-pressure valves. They can be fitted to gaging and inflating devices by a variety of methods. Various angles permit easy attachment to hard-to-reach valves.



Part Number	Generic Number	Thread Size	Air Line Connection	Maximum Working Pressure (PSIG)	Configuration	Recommended Max. Torque to Valve Mouth*	Remarks
005560099	556	.305"-32	1/8" NPT Male	3,000	Air line connection: 90° to axis of valve	50 in.-lb.	Has core depressor pin, copper sealing washer 027550080 (25 pack, 100 pack)
027550169	2755	.305"-32	3/8"-24 thread for 3/16" flare tube fitting, meets SAE AS4395	3,000	Air line connection: 90° to axis of valve	50 in.-lb.	Has core depressor pin, copper sealing washer 027550080 (25 pack, 100 pack)
027550008	2755 Large Bore	.485"-26	3/8"-24 thread for 3/16" flare tube fitting	3,000	Air line connection: 90° to axis of valve	50 in.-lb.	Has core depressor pin, copper sealing washer 027550012 (25 pack, 100 pack)
050070099	5007	.305"-32	7/16"-20 thread for 1/4" flare tube fitting, meets SAE AS4395	15,000	Straight	75 in.-lb. for steel valves	Copper sealing washer 027550080 (25 pack, 100 pack)
061160001	6116	.305"-32	1/8" NPT Female	3,000	Air line connection: 70° to axis of valve	30 in.-lb.	Hard fiber sealing washer 0611650025 (25 pack, 100 pack)
057840099	5784	.305"-32	7/16"-20 thread for 1/4" flare tube fitting, meets SAE AS4395	5,000	Air line connection: 70° to axis of valve	30 in.-lb.	Hard fiber sealing washer 019370029 (25 pack, 100 pack)

* It may be necessary to replace the sealing washers after a number of uses to insure sealing on valve mouth



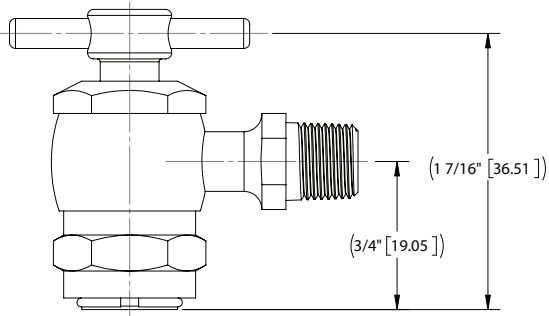
1800-OILSOL
1800-645765

<https://oilsolutions.com.au/>

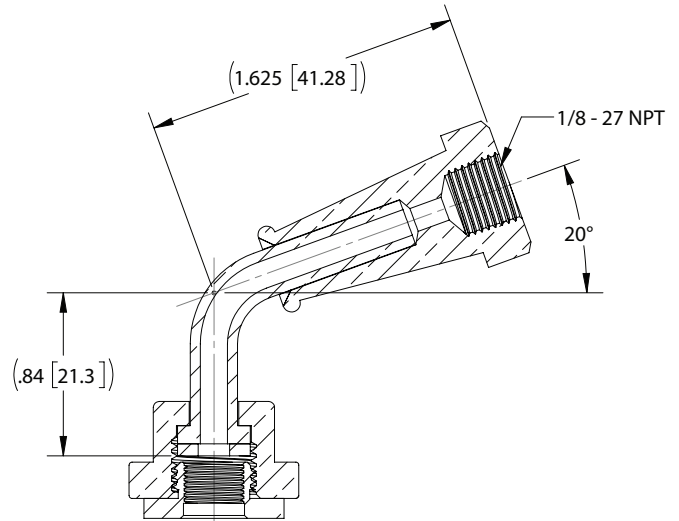
sales@oilsolutions.com.au

Due to the variety of operating conditions and applications, the customer is responsible to perform their own testing to ensure performance, safety and warranty requirements for the intended application.

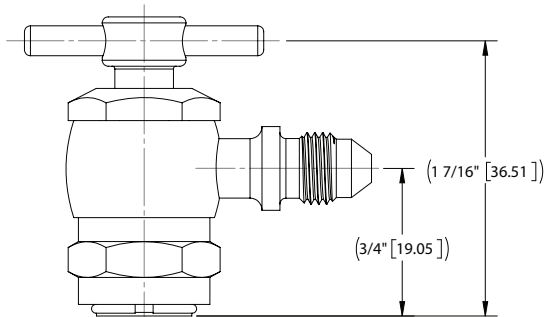
**Detailed customer drawings available.
Sections shown for size reference.**



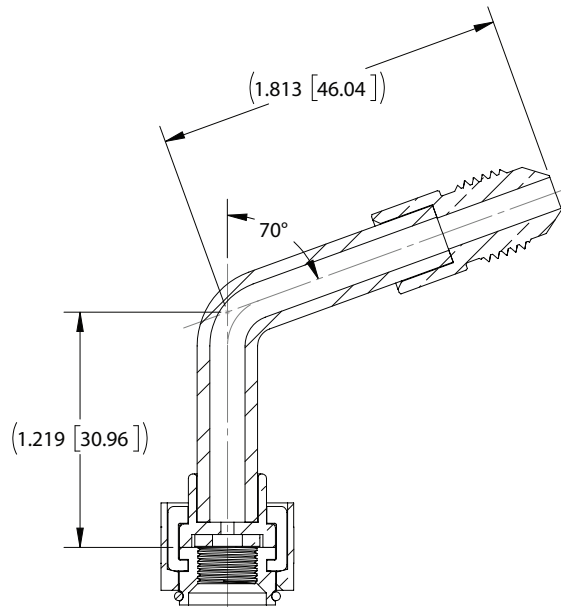
556



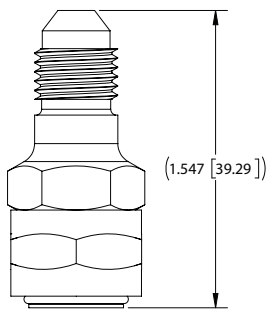
6116



2755



5784



5007



1800-OILSOL
1800-645765

<https://oilsolutions.com.au/>

sales@oilsolutions.com.au

SCHRADER PACIFIC
Advanced Valves

205 Frazier Road
Altavista, Virginia 24517

1.800.345.0578

www.Schrader-Pacific.com

12312019