



HYDRAULIC PUMP & MOTOR MOUNT FLANGE & SHAFT INDUSTRY STANDARDS

EXTRACTS FROM SAE J74CC ANSI STANDARD FOR FLUID POWER PUMPS AND MOTORS

STRAIGHT SHAFT TYPES

SAE Code	"S"	"SL"	"TL"	Key Width
AA	1/2"	0.750	1.062	0.125
A	5/8"	0.937	1.250	0.156
B	7/8"	1.3142	1.625	0.250
BB	1"	1.500	1.812	0.250
C	1.1/4"	1.875	2.187	0.312
CC	1.1/2"	2.125	2.437	0.375
D	1.3/4"	2.625	2.937	0.437

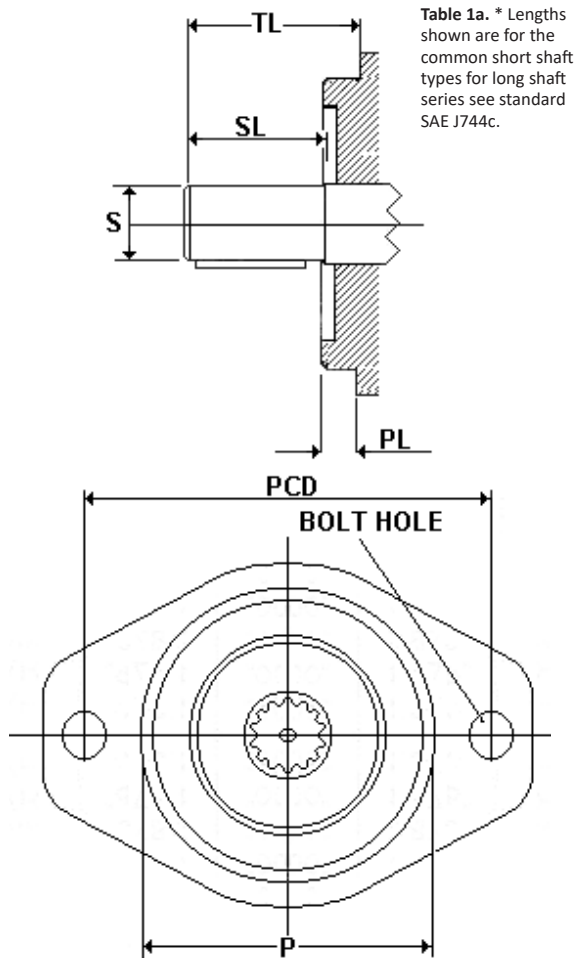
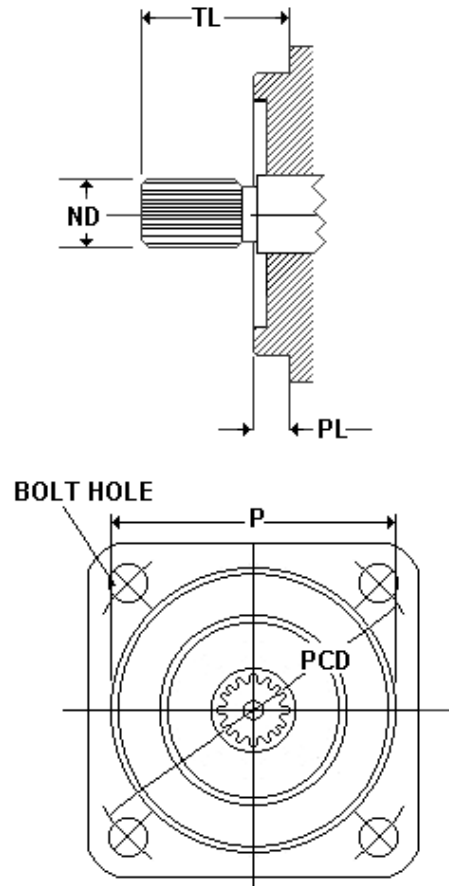


Table 1a. * Lengths shown are for the common short shaft types for long shaft series see standard SAE J744c.

30 DEG INVOLUTE SPLINE TYPES

SAE Code	Spline Details	Nom Diameter	"TL"
AA	9T 20/40DP	1/2"	1.062
A	9T 16/32DP	5/8"	1.250
AH	11T 16/32DP	3/4"	1.250
B	13T 16/32DP	7/8"	1.625
BB	15T 16/32DP	1"	1.812
C	14T 12/24DP	1 1/4"	2.187
CC	17T 12/24DP	1 1/2"	2.437
D	13T 8/16DP	1 3/4"	2.937
E	13T 8/16DP	1 3/4"	2.937
F	15T 8/16DP	2"	3.437



TWO BOLT MOUNTING FLANGE

SAE CODE	PILOT DIA	BOLT PCD	BOLT HOLE	PILOT LENGTH
AA	2.00"	3.250"	0.406"	0.250"
A	3.25"	4.187"	0.437"	0.250"
B	4.00"	5.750"	0.562"	0.375"
C	5.00"	7.125"	0.687"	0.500"
D	6.00"	9.000"	0.812"	0.500"
E	6.50"	12.500"	1.062"	0.625"
F	7.00"	13.781"	1.062"	0.625"

FOUR BOLT MOUNTING FLANGE

SAE Code	PILOT DIA	BOLT PCD	BOLT HOLE	PILOT LENGTH
B	4.00"	5.000"	0.562"	0.375"
C	5.00"	6.375"	0.562"	0.500"
D	6.00"	9.000"	0.812"	0.500"
E	6.50"	12.500"	0.812"	0.625"
F	7.00"	13.781"	1.062"	0.625"



1800-OILSOL
1800-645765

<https://oilsolutions.com.au/>

sales@oilsolutions.com.au